

DESCRIPTION:

PMI MODEL NUMBER DTA-2G18G-60-CD-2 IS A NON-REFLECTIVE 10 BIT PROGRAMMABLE 60 dB PIN DIODE ATTENUATOR WITH STEP RESOLUTION AS LOW AS 0.06 dB OVER THE FREQUENCY RANGE OF 2.0 TO 18.0 GHz. THIS MODEL IS OFFERED IN A SLIM LINE HOUSING MEASURING ONLY 0.5" HEIGHT.

SPECIFICATIONS:

- FREQUENCY: _____ 2.0 GHz TO 18.0 GHz
- MEAN ATTENUATION RANGE: _____ 60 dB
- INSERTION LOSS: _____ 4.5 dB MAX
- VSWR: _____ 2.0 :1 MAX
- FLATNESS UP TO:
 - 20 dB _____ ±1.0 dB TYP
 - 40 dB _____ ±1.25 dB TYP
 - 60 dB _____ ±3.0 dB TYP
- ACCURACY OF ATTENUATION:
 - 0 dB TO 20 dB _____ ±1.0 dB TYP
 - 20 dB TO 40 dB _____ ±1.5 dB TYP
 - 40 dB TO 60 dB _____ ±2.0 dB TYP
- MINIMUM ATTENUATION STEP: _____ 0.06 dB
- OPERATING POWER: _____ 15 dBm TYP
- SURVIVAL POWER: _____ 1W Average from -65°C to +25°C
- SWITCHING TIME:
 - ON TIME _____ 1.0 us MAX
 - OFF TIME _____ 0.5 us MAX
- DC POWER SUPPLY: _____ +15V @ 150 mA MAX
- CONNECTORS: _____ 2 SMA & 15 PIN Micro-D-Female Shipped with Mating Micro-D Male
- WEIGHT: _____ 3.0 oz (85 gm) Approximate
- FINISH: _____ BLUE EPOXY POLIMIDE COATING IAW MIL-C-22750, TYPE I OVER EPOXY POLIMIDE PRIMER IAW MIL-P-23377, TYPE I, CLASS 1 OR 3.
- LOGIC INPUT:
 - LOGIC "0" (BIT OFF) _____ -0.3 to +0.8V
 - LOGIC "1" (BIT ON) _____ +2.0 to +5.0V

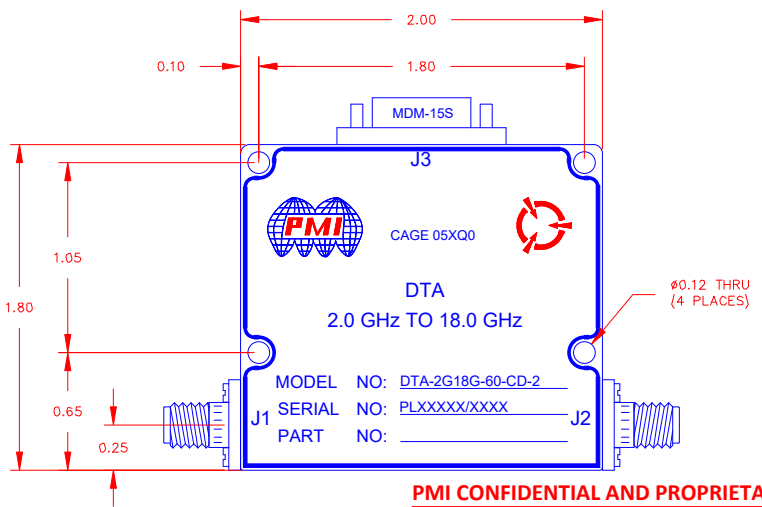
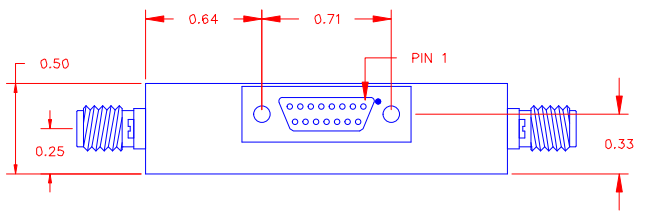
ENVIRONMENTAL RATINGS:

- TEMPERATURE: _____ -40°C TO +85°C (OPERATING)
 _____ -65°C TO +125°C (STORAGE)
- HUMIDITY: _____ MIL-STD-202F, METHOD 103B COND. B
- SHOCK: _____ MIL-STD-202F, METHOD 213B COND. B
- VIBRATION: _____ MIL-STD-202F, METHOD 204D COND. B
- ALTITUDE: _____ MIL-STD-202F, METHOD 105C COND. B
- TEMPERATURE CYCLE: _____ MIL-STD-202F, METHOD 107

NOTE: THE ABOVE SPECIFICATIONS ARE SUBJECT TO CHANGE OR REVISION

PIN NO:	J3 PIN FUNCTIONS
1	2dB
2	1dB
3	0.5dB
4	0.25dB
5	GND
6	0.13 dB
7	0.06 dB (LSB)
8	GND
9	Not Used
10	Not Used
11	+V
12	32dB (MSB)
13	16dB
14	8dB
15	4dB

REVISIONS				
ZONE	REV.	DESCRIPTION	DATE	APPROVED
	A1	ORIGINAL RELEASE	12/28/11	<i>PJK</i>
	A3	ECN # 15-0010	2/09/15	
	B1	ECN # 25-0279	09/30/25	



PMI CONFIDENTIAL AND PROPRIETARY

PLANAR MONOLITHICS INDUSTRIES, INC.
 7311-F GROVE ROAD
 FREDERICK, MARYLAND 21704 USA
 TEL: 301-662-5019 FAX: 301-662-1731
 WEBSITE: www.pmi-rf.com
 E-MAIL: sales@pmi-rf.com
 ISO 9001 CERTIFIED

APPROVALS		DATE	TITLE		
DRAWN <i>KM</i>		12/28/11	PRODUCT FEATURE DTA-2G18G-60-CD-2		
CHECKED			SIZE	FSCM NO.	DWG NO.
ISSUED			A	05XQ0	27016021
			SCALE	N:S	SHEET 1 OF 1
					REV. B1

ALL DIMENSIONS ARE IN INCHES
 TOLERANCES:
 X.XX ±0.020
 X.XXX ±0.010