

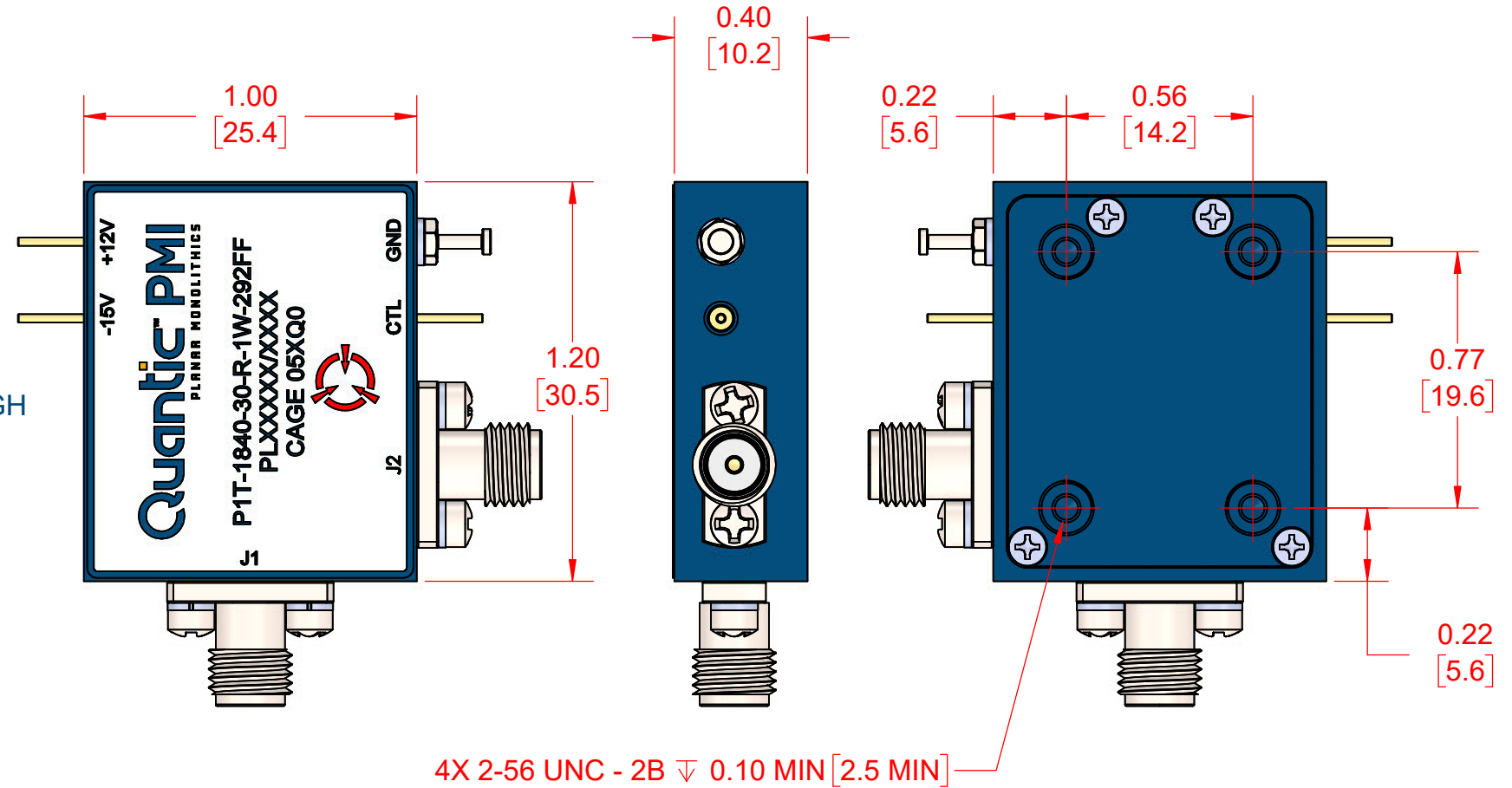
DESCRIPTION:

PMI MODEL P1T-1840-30-R-1W-292FF IS A REFLECTIVE SINGLE POLE, SINGLE THROW SWITCH THAT OPERATES FROM 18 GHz TO 40 GHz WHICH HANDLES 1 WATT CW POWER. THE PORT TO PORT ISOLATION IS 25 dB MINIMUM. THIS MODEL HAS LOW INSERTION LOSS WHILE STILL OFFERING FAST SWITCHING SPEED.

| ZONE | REV. | DESCRIPTION | DATE | APPROVED |
|------|------|------------------|-----------|----------|
| | A1 | ORIGINAL RELEASE | 5/15/2025 | |
| | | | | |

SPECIFICATIONS:

- FREQUENCY:..... 18 TO 40 GHz
- ISOLATION:..... 25 dB MIN
- INSERTION LOSS @ 25°C:..... 3.0 dB MAX
- VSWR:..... 2.5:1 MAX
- RF SURVIVAL POWER:..... 30 dBm CW MIN
1 us PULSE WIDTH, 1% DUTY CYCLE
37 dBm PEAK MIN
- SWITCHING SPEED:..... 500 ns MAX
- POWER SUPPLY :..... +12 V @ 50 mA MAX
-15 V @ 50 mA MAX
- CONTROL:..... TTL/CMOS COMPATIBLE, LOGIC 1 IS HIGH
- CONNECTORS:..... 2.92 mm FEMALE
- CONTROL CONNECTORS:..... SOLDER POST
- FINISH:..... PAINTED BLUE
- WEIGHT:..... 3.0 oz MAX



| CTL | SWITCH STATE |
|-------|----------------|
| TTL 1 | INSERTION LOSS |
| TTL 0 | ISOLATION |

ENVIRONMENTAL RATINGS:

- TEMPERATURE:..... -34°C TO +85°C (OPERATING)
-62°C TO +71°C (STORAGE)
- VIBRATION:..... MIL-STD-167-1
- TRANSPORTATION:..... SHALL WITHSTAND TRANSIT IN AN UNPRESSURIZED AIRCRAFT TO 15000 FT ABOVE SEA LEVEL
- FUNGUS:..... SHALL BE FUNGUS INERT AND SHALL NOT SUPPORT FUNGAL GROWTH
- SHOCK:..... 125 G

NOTE: SPECIFICATIONS WILL VARY OVER TEMPERATURE
NOTE: THE ABOVE SPECIFICATIONS ARE SUBJECT TO CHANGE OR REVISION

PMI CONFIDENTIAL AND PROPRIETARY

| | | | | | |
|--|--|-----------|----------|--|--------------|
| APPROVALS DRAWN J ESCANO REDRAWN ISSUED | | DATE | | TITLE OUTLINE P1T-1840-30-R-1W-292FF | |
| | | 5/15/2025 | | | |
| UNLESS OTHERWISE SPECIFIED DIMENSIONS ARE IN INCHES TOLERANCES ARE: FRACTIONS DECIMALS ANGLES ± .XX ± 0.01 ± .XXX ± 0.005 | | SIZE | FSCM NO. | DWG NO. | REV. |
| | | B | 05XQ0 | 27050920 | A1 |
| | | SCALE 2:1 | | | SHEET 1 OF 1 |

Quantic PMI
PLANAR MONOLITHICS
 7309-A GROVE ROAD FREDERICK MARYLAND 21704 USA
 TEL: (301) 662-5019, FAX: (301) 662-1731
 WEB: WWW.QUANTICPMI.COM, EMAIL: SALES@QUANTICPMI.COM
 ISO 9001 CERTIFIED