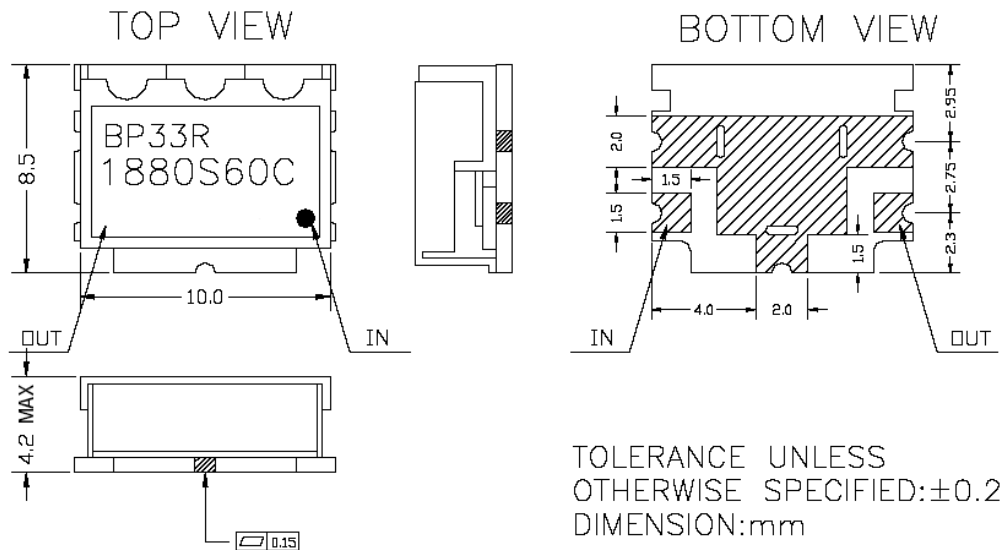


RF FILTER SPECIFICATION

Part No. BP33R1880S60C

Electrical Specifications			
Item	Parameter	General Specification	CMI's Specification
1	Center Frequency	1880 MHz	TOLERANCE : ±0.3 → ±0.2
2	Bandwidth (BW)	$f_o \pm 30$ MHz	
3	Insertion loss in BW	2.2 dB max.	
4	Ripple in BW	1.0 dB max.	
5	VSWR	2.0 max.	
6	Input power	1 watt max.	
7	Attenuation (Absolute Value)	Frequency	Specification
		$f_o \pm 100$ MHz	15 dB min.
		$f_o \pm 400$ MHz	40 dB min.



CALL OUR SALES DEPARTMENT FOR MORE INFORMATION OR VARIATIONS OF THIS PRODUCT.

**Corry Micronics, Inc. One Plastics Rd. - Corry, PA 16407
(814) 664-7728 Fax (814) 664-4582 www.cormic.com**

Corry Micronics Inc. herein referred to CMI, believes this information to be accurate, but makes no warranties, expressed or implied as to the accuracy of this document. CMI assumes no liability for any injury, loss, damage, direct or consequential arising from the use of our products. User assumes all risk whatsoever in connection with it's intended use. CMI also reserves the right to change this document without notice.