

NOTES:

- 1. DESIGNED FOR LASER WELDING TO A TITANIUM HOUSING.
- 2. HERMETIC LEAK RATE: LESS THAN OR EQUAL TO 1×10^{-9} CC/SEC He AT 1 ATM DIFFERENTIAL PRESSURE.
- 3. ELECTRICAL REQUIREMENTS:
 - INSULATION RESISTANCE: GREATER THAN 5,000 MEGOHMS AT $500 \pm 10\%$ VDC AT 25°C WHEN TESTED IAW MIL-STD-1344, METHOD 3003.
 - DIELECTRIC WITHSTANDING VOLTAGE: MUST SHOW NO EVIDENCE OF BREAKDOWN OR FLASHOVER WHEN SUBJECTED TO 500 VAC RMS 60Hz IAW MIL-STD-1344, METHOD 3001. DURATION OF APPLICATION TO BE 1 SEC MIN.

4. MATERIALS:

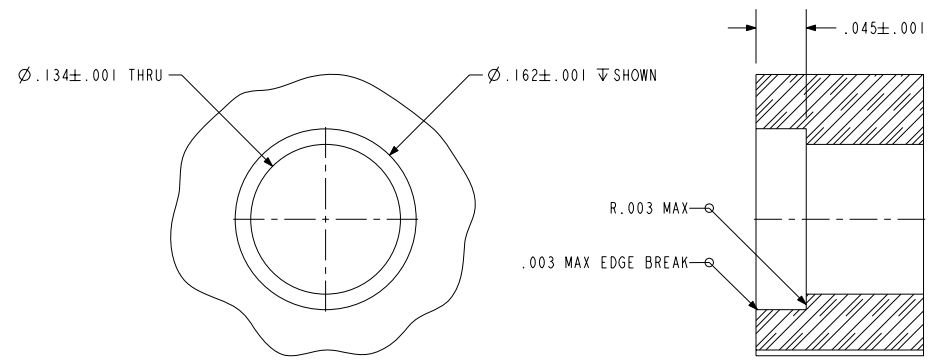
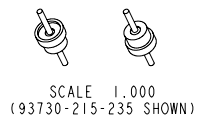
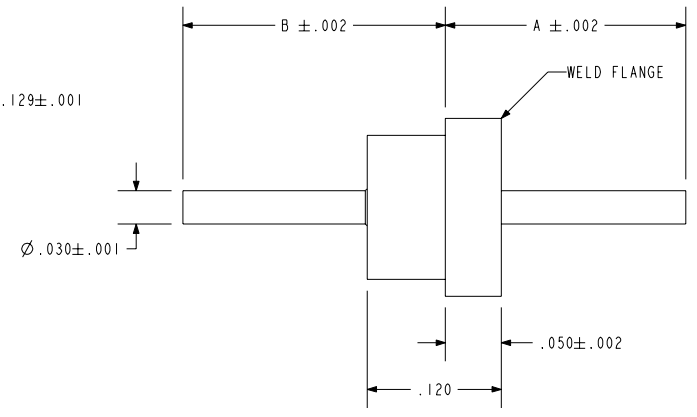
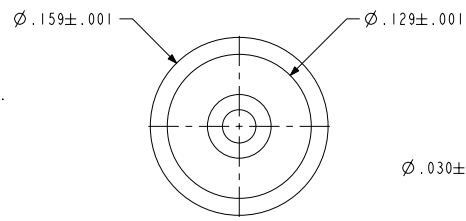
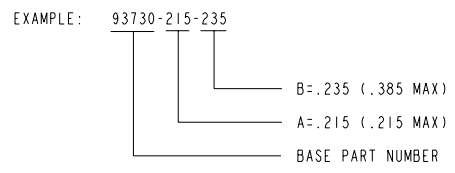
SHELL: EXPLOSION BONDED 304L STAINLESS STEEL TO GRADE 1 OR 2 TITANIUM.
 CONTACTS: INCONEL X-750 IAW AMS 5698.
 INSULATORS: KRYOFLEX 313 PROPRIETARY POLYCRYSTALLINE CERAMIC.

5. FINISH:

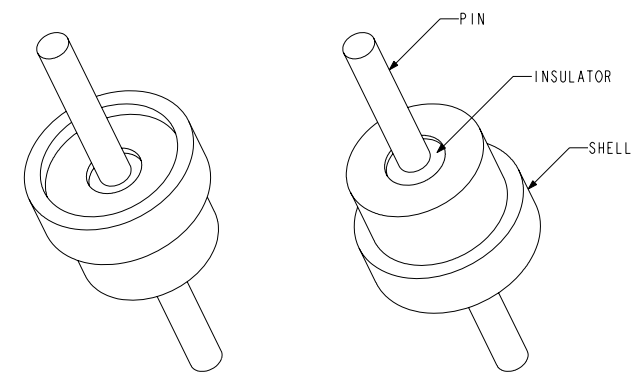
CONTACTS: ELECTROLYTIC NICKEL PLATE IAW QQ-N-290, .000100/.000250 THICK.
 GOLD PLATE IAW ASTM-B488, TYPE III, CODE A .000050/.000150 THICK.


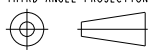
6. ORDERING INFORMATION:

PLEASE SPECIFY ACCORDING TO THE FOLLOWING.



HOLE DETAIL



 PACIFIC AEROSPACE & ELECTRONICS, INC. 434 Olds Station Rd. Wenatchee, Washington 98801		WWW.PACAERO.COM THIRD ANGLE PROJECTION	
TITLE:			
FEEDTHRU, SINGLE PIN, Ti-COMPATIBLE		CAGE CODE: 64567	DOCUMENT: 0-93730
VERSION: -.0	RELEASE DATE: 11-09-06	SHEET: 1 OF 1	SALES DRAWING