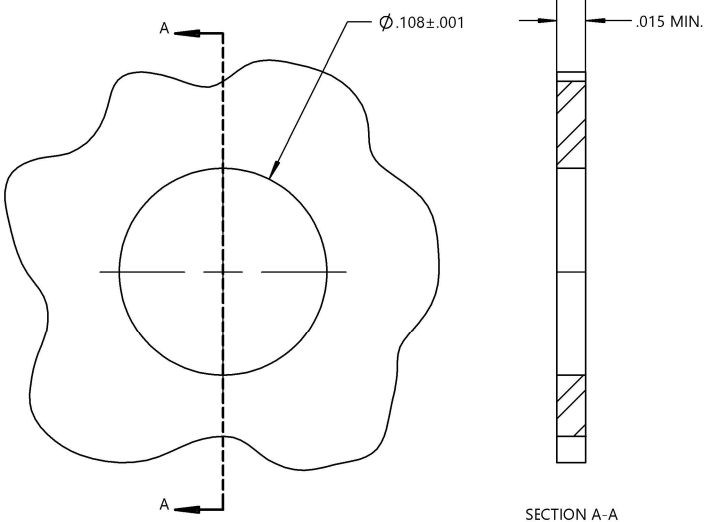
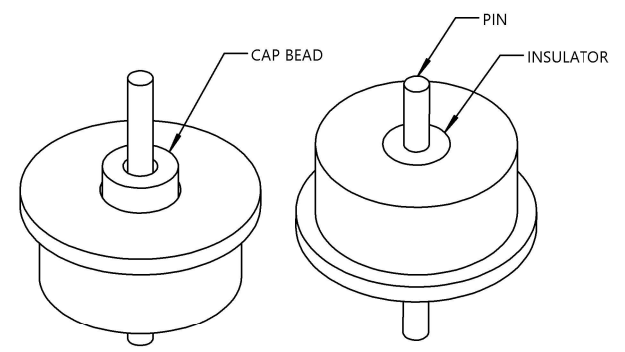
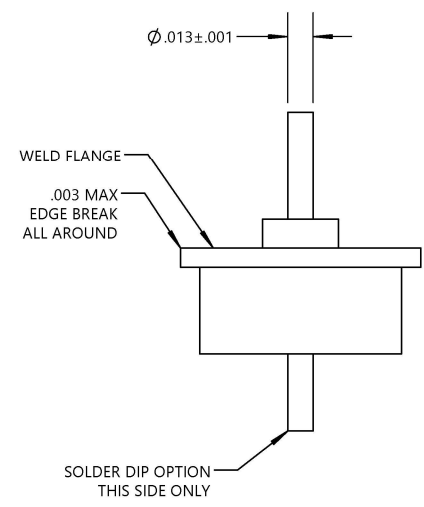
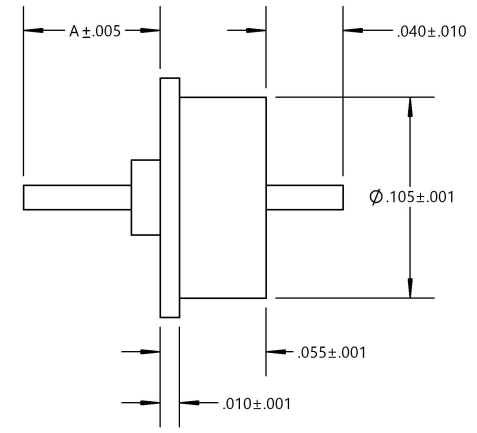
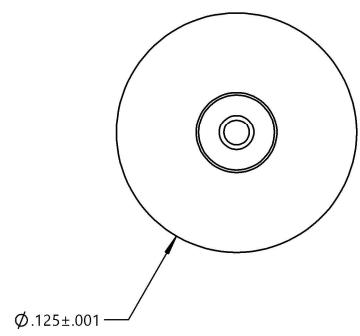
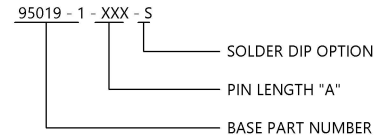


- NOTES:
- DESIGNED TO BE LASER WELDED TO A TITANIUM HOUSING.
 - HERMETIC LEAK RATE: $\leq 1 \times 10^{-9}$ CC/SEC He AT 1 ATM DIFFERENTIAL PRESSURE.
 - ELECTRICAL REQUIREMENTS:
INSULATION RESISTANCE: GREATER THAN 5,000 MEGOHMS AT 500+/- 10% VDC AT 25°C WHEN TESTED IAW EIA-364-21.
DIELECTRIC WITHSTANDING VOLTAGE - MUST SHOW NO EVIDENCE OF BREAKDOWN OR FLASHOVER WHEN SUBJECTED TO 500 VAC RMS 60 Hz PER EIA-364-20. DURATION OF APPLICATION SHALL BE 1 SECOND MINIMUM.
 - MATERIALS:
WELD FLANGE: TITANIUM GRADE 23 6AL4V-ELI
CONTACTS: 80%Pt/20%Ir
INSULATOR: KRYOFLEX PROPRIETARY POLYCRYSTALLINE CERAMIC
CAP BEAD: ALUMINA
SOLDER: SN63/PB37
 - ORDERING INFORMATION:
PLEASE SPECIFY ACCORDING TO THE FOLLOWING:

WARNING - THIS DOCUMENT CONTAINS TECHNICAL DATA, EXPORT OF WHICH IS RESTRICTED BY THE EXPORT ADMINISTRATION REGULATIONS (EAR). DISCLOSURE TO FOREIGN PERSONS WITHOUT PRIOR U.S. GOVERNMENT APPROVAL IS PROHIBITED. VIOLATIONS OF THE EXPORT LAWS AND REGULATIONS ARE SUBJECT TO SEVERE CIVIL AND CRIMINAL PENALTIES.



SCALE 1 : 1
95019-1-071 SHOWN

PA&E A Qnnect Company		WWW.QNNECTNOW.COM	
Qnnect			
TITLE: FEEDTHRU, IMPLANTABLE, SINGLE PIN			
VERSION: C	RELEASE DATE: 09/28/23	CAGE CODE: 64567	SCALE: 10:1
SALES DRAWING		SHEET: 1 OF 1	DOCUMENT: 0-95019