

- NOTES:
- DESIGNED TO BE LASER WELDED TO A TITANIUM HOUSING.
  - HERMETIC LEAK RATE:  $\leq 1 \times 10^{-9}$  CC/SEC He AT 1 ATM DIFFERENTIAL PRESSURE.
  - ELECTRICAL REQUIREMENTS:

INSULATION RESISTANCE - MUST BE GREATER THAN 5,000 MEGOHMS AT 500 +/- 10% VDC AT 25C IAW EIA-364-21.

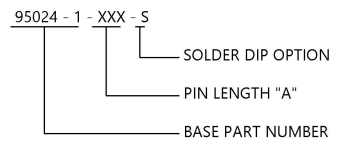
DIELECTRIC WITHSTANDING VOLTAGE - MUST SHOW NO EVIDENCE OF BREAKDOWN OR FLASHOVER WHEN SUBJECTED TO 500 VAC RMS 60 Hz PER EIA-364-20. DURATION OF APPLICATION SHALL BE 1 SECOND MINIMUM.

4. MATERIALS:

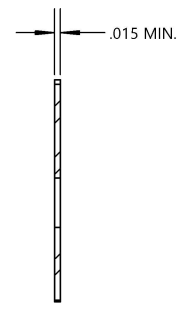
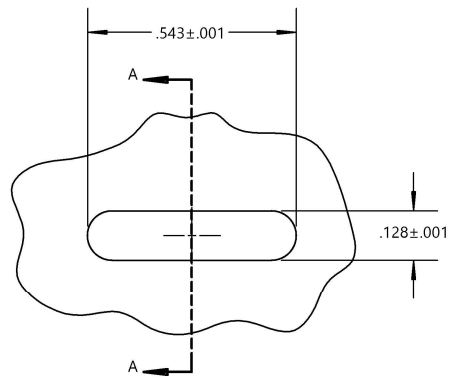
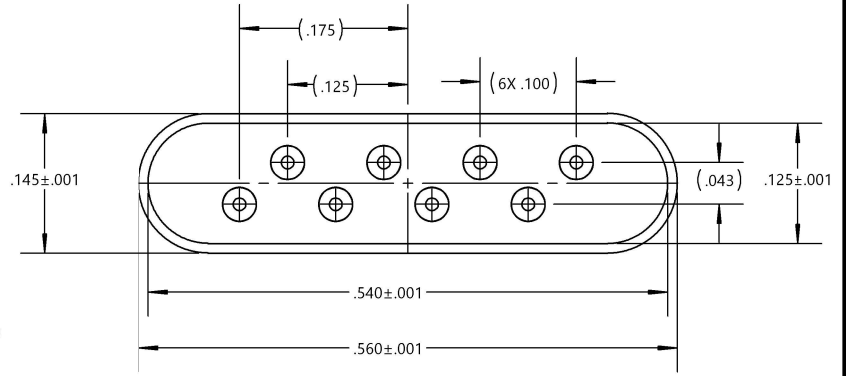
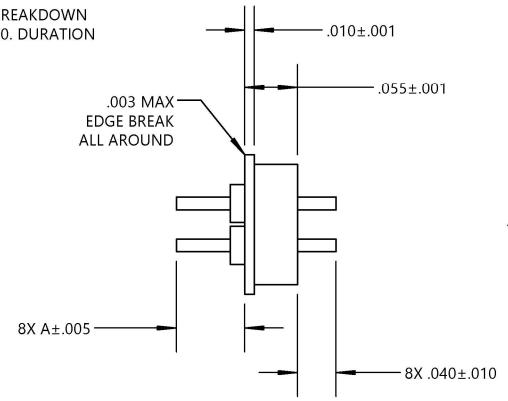
WELD FLANGE: GRADE 23 TITANIUM 6AL4V-ELI  
 CONTACTS: 80%Pt/20%Ir  
 INSULATOR: KRYOFLEX PROPRIETARY POYCRYSTALLINE CERAMIC.  
 CAP BEAD: ALUMINA  
 SOLDER: SN63/PB37

5. ORDERING INFORMATION:

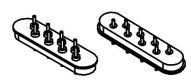
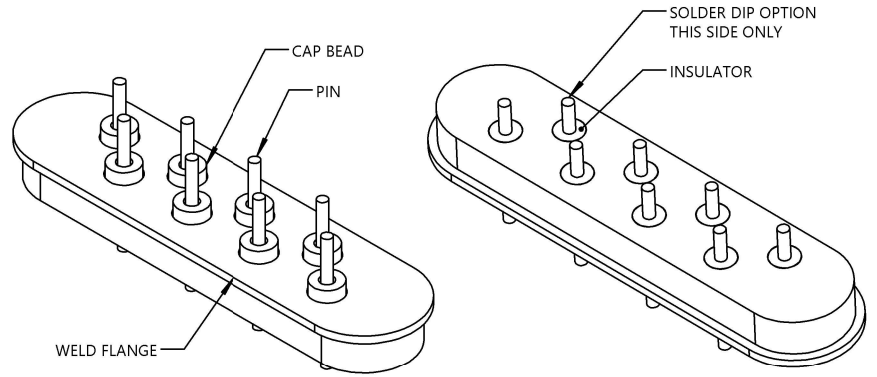
PLEASE SPECIFY ACCORDING TO THE FOLLOWING:



WARNING - THIS DOCUMENT CONTAINS TECHNICAL DATA, EXPORT OF WHICH IS RESTRICTED BY THE EXPORT ADMINISTRATION REGULATIONS (EAR). DISCLOSURE TO FOREIGN PERSONS WITHOUT PRIOR U.S. GOVERNMENT APPROVAL IS PROHIBITED. VIOLATIONS OF THE EXPORT LAWS AND REGULATIONS ARE SUBJECT TO SEVERE CIVIL AND CRIMINAL PENALTIES.



SECTION A-A  
SCALE 2 : 1



SCALE 1 : 1  
95024-1-071 SHOWN

SUGGESTED HOLE DETAIL



WWW.QNNECTNOW.COM



TITLE: FEEDTHRU, IMPLANTABLE, TWO ROW, .100 PITCH (8 PIN)



VERSION: D	RELEASE DATE: 10/06/23	SALES DRAWING	CAGE CODE: 64567	SCALE: 5:1	SHEET 1 OF 1	DOCUMENT: 0-95024
---------------	---------------------------	---------------	---------------------	---------------	-----------------	----------------------