

DESCRIPTION:

PMI MODEL NUMBER PDC-20M7D2G-18X-24-5D5-12U-SFF IS A 12U 19" RACKMOUNT CHASSIS CONTAINING 18 POWERED DIRECTIONAL COUPLERS COVERING 20 MHz TO 7.2 GHz. THE GAIN IN EACH THRU PATH IS 24 dB MINIMUM WITH 16 dB COUPLING ON EACH COUPLED PORT AND GREATER THAN 50 dB REVERSE ISOLATION.

SPECIFICATIONS:

- FREQUENCY RANGE: 20 MHz TO 7.2 GHz
- NUMBER OF PORTS: 54 (18 IN1 PORTS, 18 THRU PATH PORT2 PORTS, 18 COUPLED PORT3 PORTS)

- VSWR (ALL PORTS): 1.8 : 1 MAX
- MAX INPUT POWER (IN1, PORT2): +20 dBm MAX (WITH OR WITHOUT DC POWER)
- NOISE FIGURE: 5.5 dB MAX
- IN1 TO PORT2 GAIN: 24 dB MIN
- IN1 TO PORT2 GAIN FLATNESS: ±1.3 dB MAX
- PORT2 TO PORT3 COUPLING: -16 dB TYP
- IN1 TO PORT3 ISOLATION: 60 dB MIN
- PORT2 TO IN1 ISOLATION: 50 dB MIN
- PORT2 SATURATED OUTPUT POWER: +18.5 dBm MIN

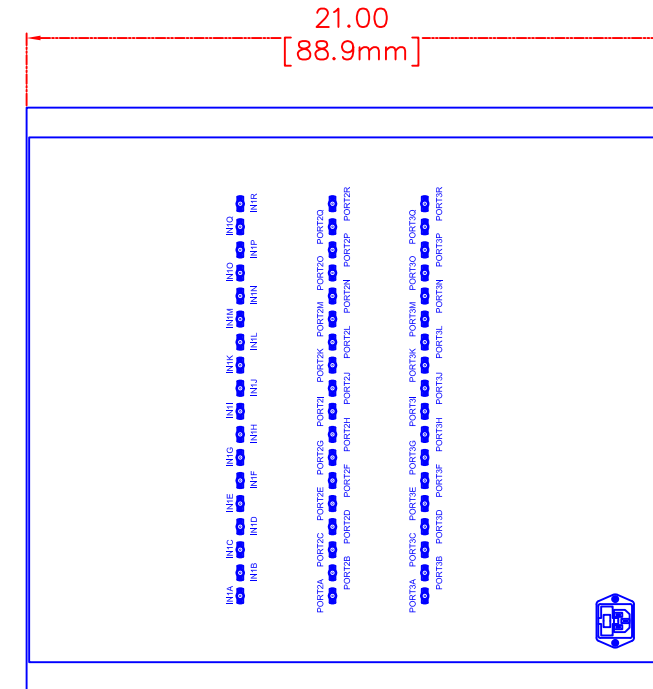
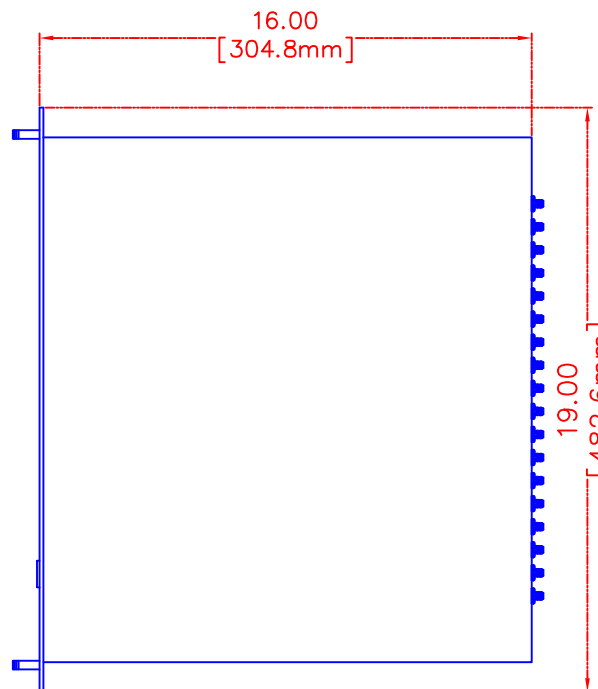
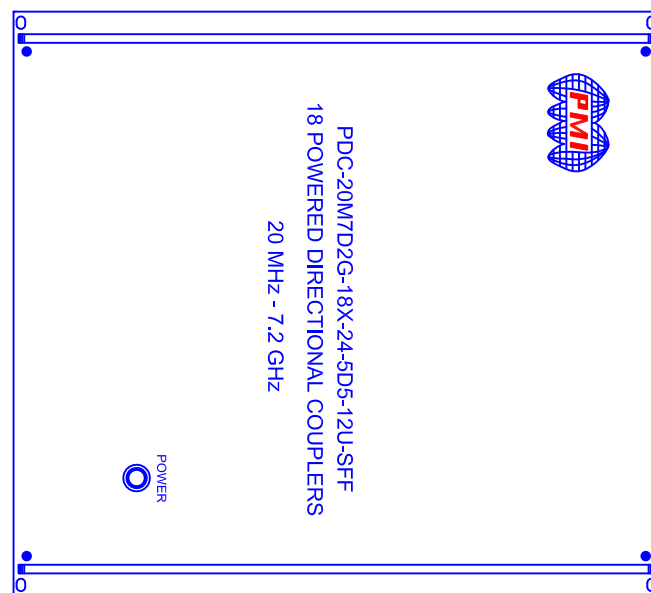
- CONNECTORS: SMA (F)
- POWER SUPPLY: 110VAC, 60 Hz
FUSE PROTECTION INCLUDED

- SIZE: 12U (MAX) 19" RACKMOUNT CHASSIS
- FINISH: POWDER COATED BLUE

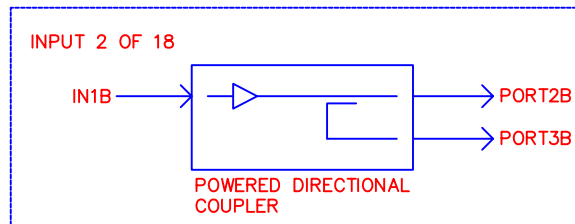
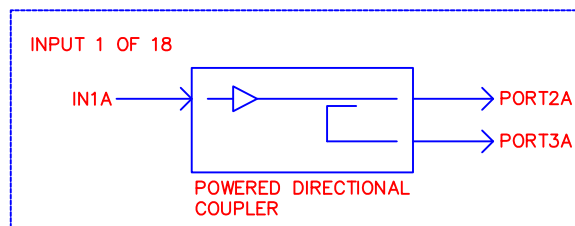
ENVIRONMENTAL RATINGS:

- OPERATING TEMPERATURE: 0° TO +75° C
- STORAGE TEMPERATURE: -50° TO +100° C

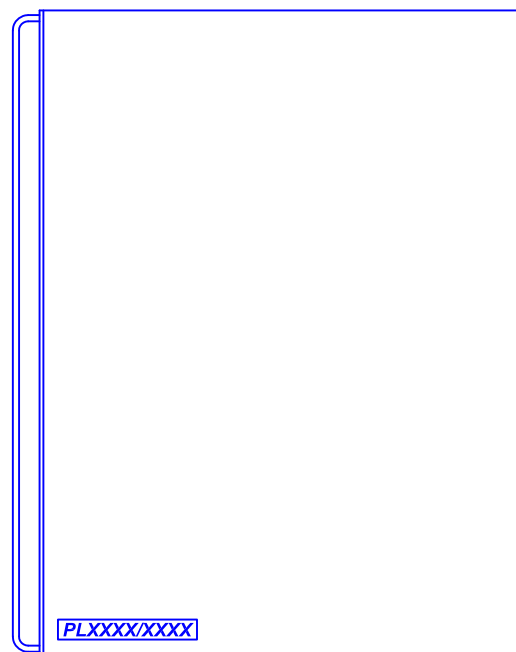
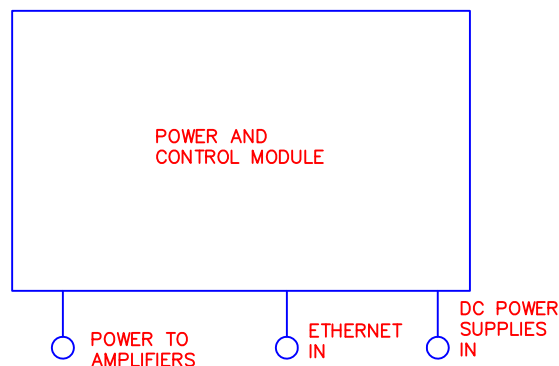
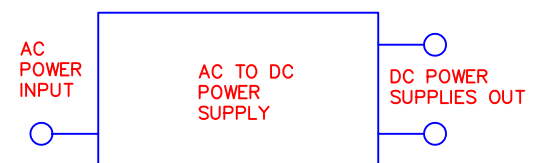
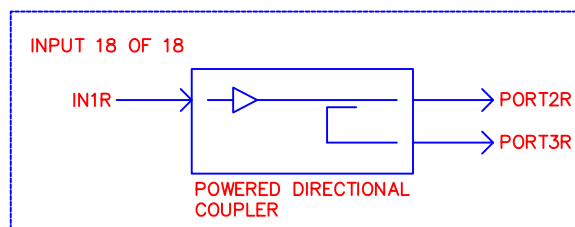
REVISIONS				
ZONE	REV.	DESCRIPTION	DATE	APPROVED
	1	PRELIMINARY	1/25/23	



CONCEPTUAL BLOCK DIAGRAM:



○
○
○



PMI CONFIDENTIAL AND PROPRIETARY

PLANAR MONOLITHICS INDUSTRIES, INC.

7311-F GROVE ROAD
 FREDERICK, MARYLAND 21704 USA
 TEL: 301-662-5019 FAX: 301-662-1731
 WEBSITE: www.pmi-rf.com
 E-MAIL: sales@pmi-rf.com
 ISO 9001 CERTIFIED



APPROVALS		DATE	TITLE		
DRAWN	JPH	1/25/23	PRODUCT FEATURE		
CHECKED			PDC-20M7D2G-18X-24-5D5-12U-SFF		
ISSUED			SIZE	FSCM NO.	DWG NO.
			B	05XQ0	PRELIMINARY
			SCALE	N/S	SHEET 1 OF 1

ALL DIMENSIONS ARE IN INCHES
 TOLERANCES:
 X.XX ±0.020
 X.XXX ±0.010

NOTE: THE ABOVE SPECIFICATIONS ARE SUBJECT TO CHANGE OR REVISION