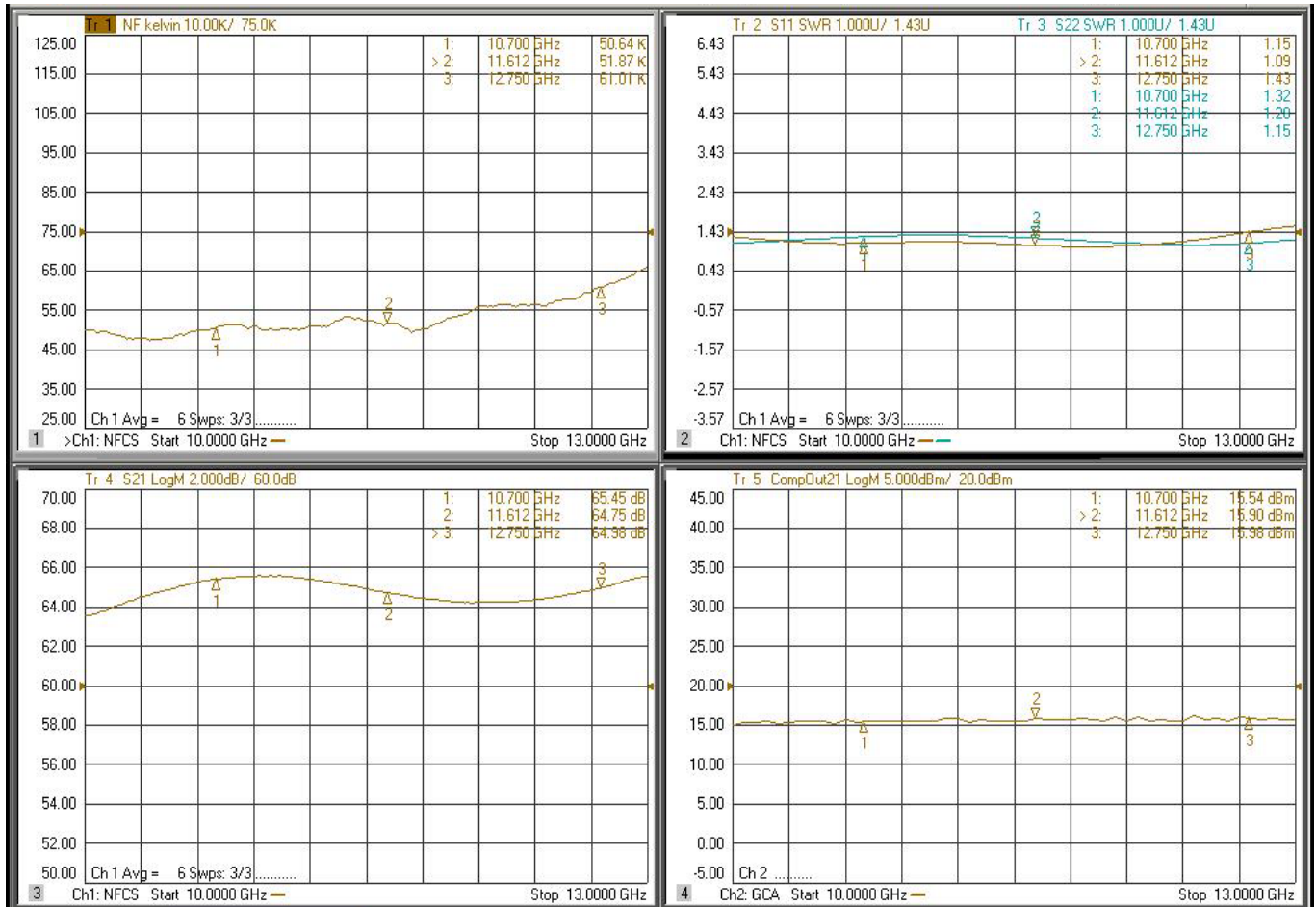
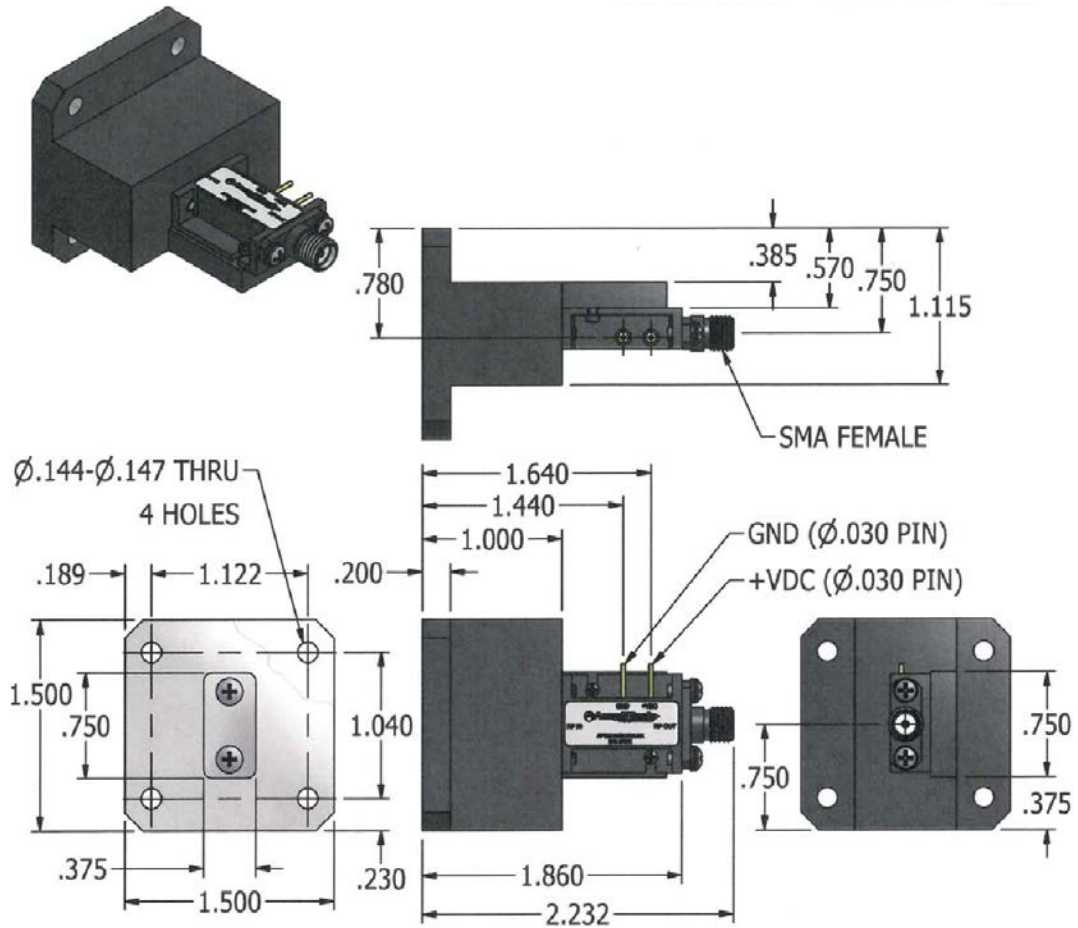


Typical Measured Data



Outline Drawing



Note: Custom outline options available