

Active Frequency Multiplier, Model A3432-4X24

Description:

Spacek Labs' Model A3432-4X-24 is a MMIC-based, active frequency multiplier which operates from 18 to 50 GHz output frequency range. Input/output ports are 2.92 mm K(f)/2.4mm (f) connectors. Output power is 20 dBm (typ) with +5 to +8 dBm input power. Bias voltage is +12VDC @ 480mA

Features:

- Balanced circuitry
- Unconditionally stable
- Removable 2.92mm (K)/ 2.4mm coaxial RF ports.
- Internal voltage regulator
- Heat sink with DC fan included, removable for integration.

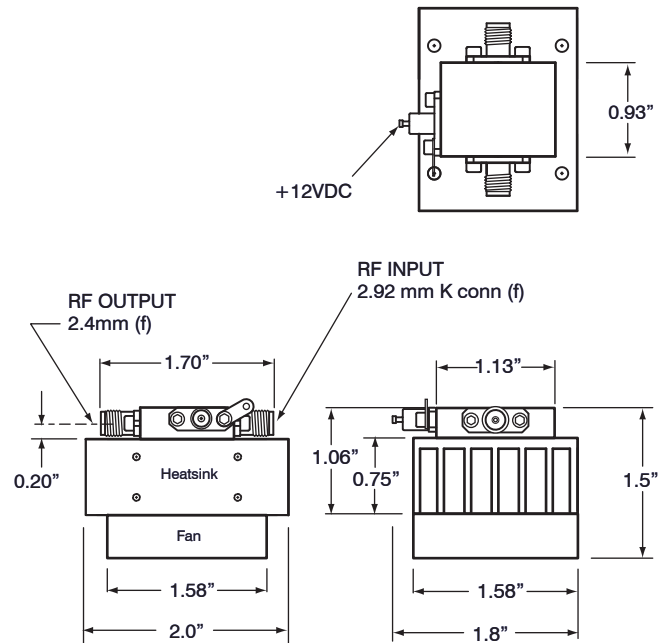


Electrical Specifications:

Description	Min.	Typ.	Max.
Input Frequency	4.5 GHz	-	12.5GHz
Output Frequency	18 GHz	-	50 GHz
Input Power	+5dBm	+7dBm	+8 dBm
Output Power	-	20 dBm	-
VSWR In/Out	2 :1 typ		
Bias Voltage	+12 VDC		
Current	480 mA		

Mechanical Specifications:

Description	Specification
Connectors I/O	2.92 mm K(f) / 2.4 mm (f)
Dimensions OA	See outline
Material	Brass / Aluminum
Finish	Gold / Iridite
Weight	2.0 oz



OUTLINE: DIMENSIONS IN INCHES (NOT TO SCALE)

ACTIVE FREQUENCY MULTIPLIER

Spacek Labs, Inc. 212 East Gutierrez Street, Santa Barbara, CA 93101
www.spaceklabs.com | Phone: 805 564-4404 | Fax: 805 966-3249 | Email: sales@spaceklabs.com

Notes: Product data is periodically updated to reflect product / raw material / process / testing changes. This data should not be used as guaranteed specifications. Please contact Spacek Labs to make sure you have the most current data.