

Waveguide to Coax 90° Adapter Model T28-K

Description:

Spacek Labs model T28-K is a Ka-Band waveguide to coaxial 90° transition or adapter. The T28-K covers the Ka-Band spectrum from 26.5 to 40 GHz with a typical insertion loss of 0.3 dB (typ). The maximum VSWR is 1.25:1. This transition can be used to adapt a component or system from WR-28 (UG599/U) waveguide to the 2.92mm (K) coaxial connector or vice versa.



Features:

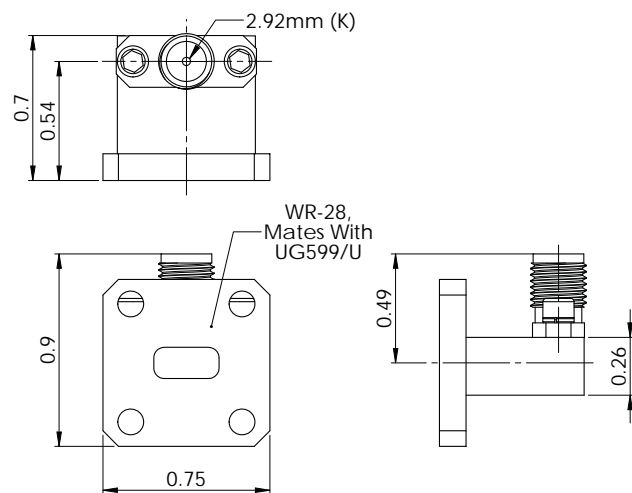
- Can be tuned to meet your specific bandwidth requirements
- MIL-spec or space-qualified units available.

Electrical Specifications:

Description	Min.	Typ.	Max.
Frequency Range	26.5 GHz	-	40 GHz
VSWR	-	1.15:1	1.25:1
Insertion Loss	-	0.3 dB	-

Mechanical Specifications:

Description	Specification
Connectors I/O	WR-28/2.92mm (K)
Dimensions OA	See outline
Material	Aluminum
Finish	Irridite
Weight	0.3 oz



OUTLINE: Dimensions in inches (Not to scale)

WAVEGUIDE TO COAX ADAPTER