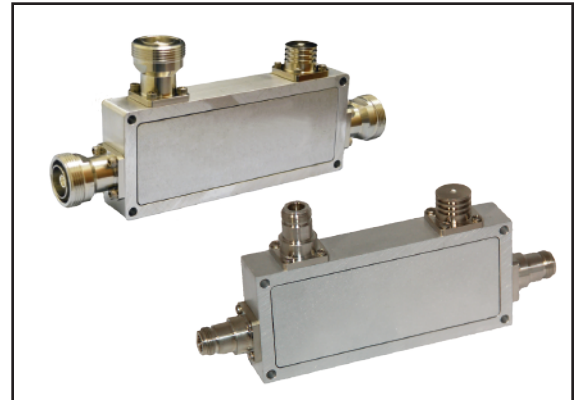


C1-C74-XXD/N/43, Single Directional Couplers Made in USA.

Common Specifications		
FREQUENCY RANGE:		380-4200 MHz
RETURN LOSS	INPUT PORT	20 dB MIN (18 dB 3800-4200 MHz*)
LOSS	CPLD PORT	18 dB MIN
PIM 2X20W:		155 TO 161 dBc
CONNECTORS:		Type N, 4.3-10.0, or 7-16 DIN FEMALE UNLESS OTHERWISE SPECIFIED
MAX. INSERTION LOSS:		0.3 dB
MINIMUM DIRECTIVITY:		20dB ≤2.7GHz (19dB 1.8-2.7GHz*), 17dB 2.7-3.7GHz (14 dB 3.7-4.2 GHz*)
RF POWER:		200W AVG
NAL TERMINATION:		5W AVG
TEMPERATURE:		-20C to +55C
ENVIRONMENT:		IP67
FINISH:		CLEAR IRIDITE
WEIGHT:		1.72 LBS

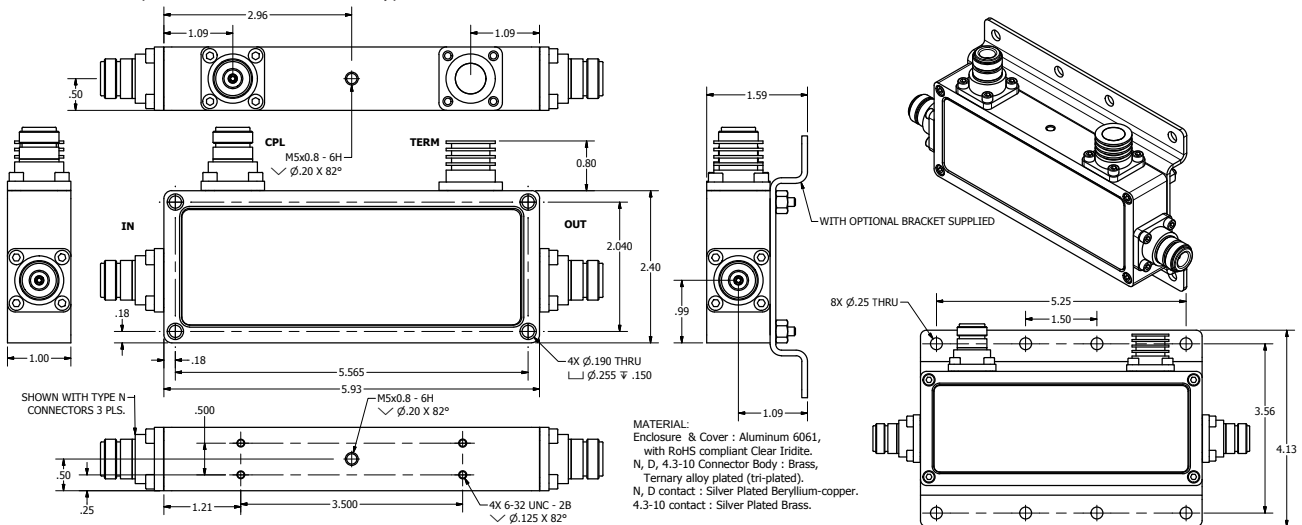
*For 30dB units only



The model C1-C74 series broadband couplers are available with any combination of Type N, 4.3-10, or 7-16 DIN connectors, male or female. The couplers use a unique tapered low loss design that is suitable for relatively high power levels with low PIM. Special care has been taken to clearly define insertion loss conditions from input to main line output as a true port to port path loss, including the theoretical loss due to coupling included.

Typical Part Number					
C1-C74-10XXX-XX					
Coupling Value		Connector ID**		Mounting	Mounting ID:
Connector ID**		Mounting ID			
		Connector:	Connector ID:		
			Male	Female	
		7-16 DIN	DM	DF	None
		4.3-10.0	D43M	D43F	Bracket
		Type N	NM	NF	BR

**For ports with different connector types, include connector IDs in IN-CPL-OUT order.



Contact sales for an up-to-date outline drawing

MODEL	380-600 MHz		600-4200 MHz			
	Type N	7-16 DIN	TYPICAL COUPLING VALUE	COUPLING ACCURACY INC. FLATNESS	FLATNESS (+/- dB)	NOM PATH LOSS MAIN LINE (dB)
C1-C74-05N	C1-C74-05D	C1-C74-05D43	6 dB	5 dB +1.0/-1.25 dB	0.4	1.5
C1-C74-06N	C1-C74-06D	C1-C74-06D43	7 dB	6 dB +1.0/-1.25 dB	0.4	1.5
C1-C74-07N	C1-C74-07D	C1-C74-07D43	8 dB	7 dB +1.0/-1.0 dB	0.4	1.25
C1-C74-08N	C1-C74-08D	C1-C74-08D43	9 dB	8 dB +1.0/-1.0 dB	0.4	1.25
C1-C74-10N	C1-C74-10D	C1-C74-10D43	11.5 dB	10 dB +1.2/-0.5 dB	0.5	0.7
C1-C74-13N	C1-C74-13D	C1-C74-13D43	14.5 dB	13 dB +1.5/-0.5 dB	0.6	0.6
C1-C74-15N	C1-C74-15D	C1-C74-15D43	16.5 dB	15 dB +1.9/-0.6 dB	0.6	0.4
C1-C74-16N	C1-C74-16D	C1-C74-16D43	17.5 dB	16 dB +1.9/-0.5 dB	0.6	0.35
C1-C74-20N	C1-C74-20D	C1-C74-20D43	21.5 dB	20 dB +2.0/-0.5 dB	0.6	0.3
C1-C74-30N	C1-C74-30D	C1-C74-30D43	31.5 dB	30 dB +2.7/-0.5 dB	0.9	0.3



R&D Microwaves LLC, 301 Rockaway Valley Road, Boonton, NJ 07005 USA

Tel. 908.212.1696 www.rdmicrowaves.com

email: sales@rdmicrowaves.com

Rev 2.2
12/9/2025