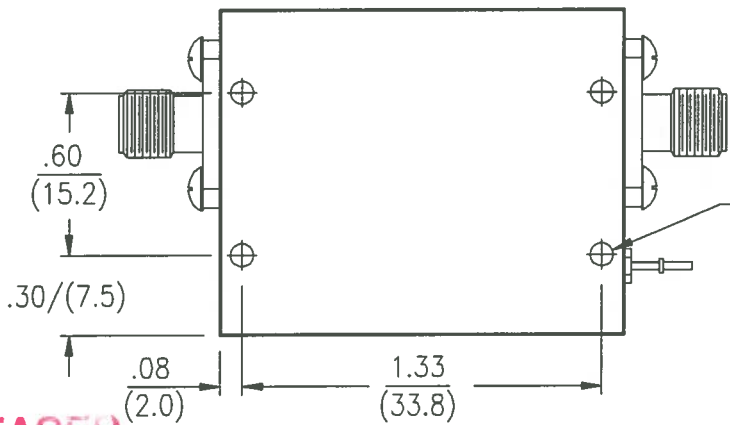
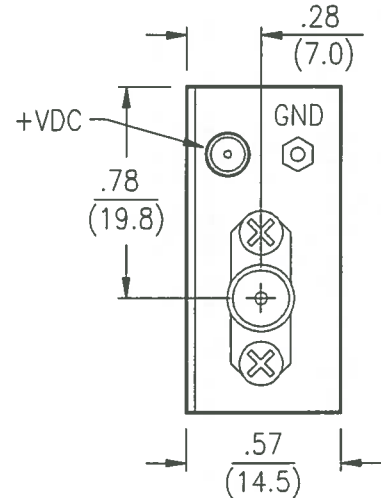
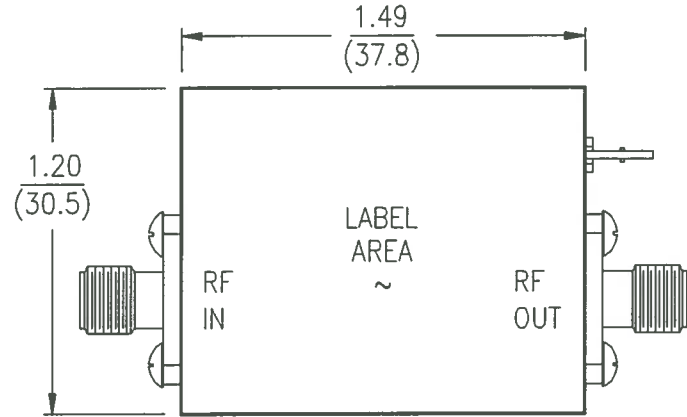
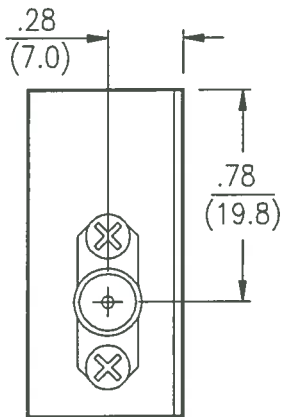


REVISIONS				
ZONE	REV.	DESCRIPTION	DATE	APPROVED
	B	Rev Per ECD 2006		



MOUNTING HOLES
2-56 UNC x .19/(4.8) Dp.
(4) Plcs.

RELEASED

THIS DRAWING IS PRELIMINARY UNLESS
IT HAS BEEN STAMPED "RELEASED".

NOTES:

1. Dimensions are in Inches/(mm.).
2. RF connectors are SMA female.
3. Finish: Electroless Nickel .0005/.0010 per MIL-C-26074B, all surfaces.

UNLESS OTHERWISE SPECIFIED DIMENSIONS ARE IN INCHES TOLERANCE ARE: FRACTIONS DECIMALS ANGLES ±1/32 XXX±.010 ±1/2° XXX±.005	CONTRACT NO. ---		<i>Microwave Solutions Inc.</i> NATIONAL CITY CALIFORNIA			
	APPROVALS					DATES
MATERIAL: ---	DRAWN: A. HALL		920217		OUTLINE DRAWING S-BAND, 3-STAGE	
FINISH: ---	CHECK					
DO NOT SCALE DRAWING	REVISED: M. ROSAS	990520	SIZE A	FSCM NO. 65151	DWG. NO. OL-001086	REV. B
	OL1086B.DWG	990520	SCALE: 1.5X		SHEET: 1 OF 1	