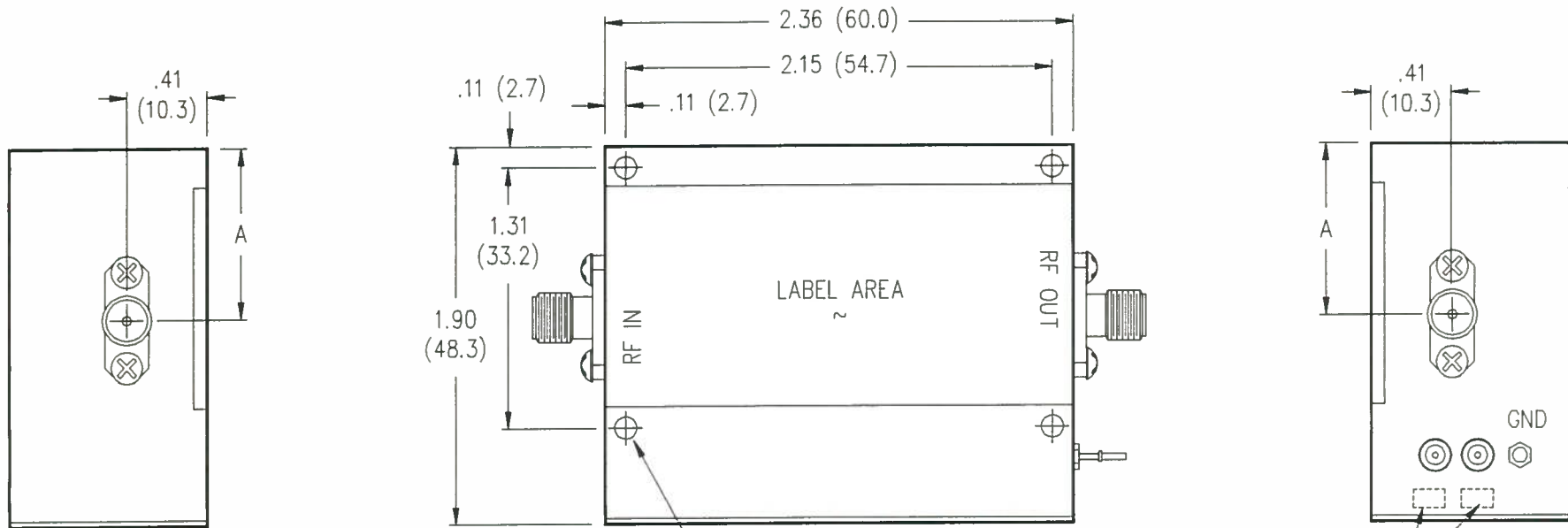


REVISIONS			
REV.	DESCRIPTION	DATE	APPRVD
C	REVISED PER ECO 2299 MR	000623	
D	REVISED PER ECO 2479 MR	011005	



Mounting Holes
4-40 x .37 Dp.
From Top + Bottom Sides
4 places Each Side

NOTE 4

Dwg. No.: OL-001230-X

-X	Ref. "A" Dim.
-C	.855
-S	.570

NOTES:

1. RF Connectors are SMA Female.
2. Finish: Electroless Nickel Plate, .001" (min) to .0015" (max) thickness per MIL-C-26074B, all surfaces.
3. Dimensions are in Inches/(mm.).
4. Labels to be determined by customers specifications.

RELEASED
OCT 29 2001

MICROWAVE SOLUTIONS INC.
PROPRIETARY AND PRIVATE
THE INFORMATION CONTAINED IN THIS
DOCUMENT OR ITEM IS THE
PROPERTY OF MICROWAVE SOLUTIONS
INC. (MSI) AND SHALL BE KEPT IN
STRICT CONFIDENCE EXCEPT WITH
WRITTEN PERMISSION OF MSI.

THIS DWG IS PRELIMINARY UNLESS STAMPED RELEASED	NOTE: THIS DWG INCORPORATES THIRD ANGLE PROJECTION 	UNLESS OTHERWISE SPECIFIED DIMENSIONS ARE IN INCHES TOLERANCES ARE: FRACTIONS DECIMALS ANGLES ±1/64 XX±.010 ±1/2" XXX±.005	DESIGN MANUEL ROSAS 011005	 NATIONAL CITY CALIFORNIA OUTLINE DRAWING C/S-BAND, 1 WATT AMP. SIZE A FSCM NO. DWG.NO. REV. SCALE FULL SHEET 1 OF 1
		UNLESS OTHERWISE SPECIFIED ALL OTHER MATERIAL:	CHECKED S. YOUNG 011005	
		FINISH:	APPROVED <i>L. Pimental 10-29-01</i>	
NEXT ASSY	USED ON	DO NOT SCALE DRAWING	CAD FILE OL1230_D	