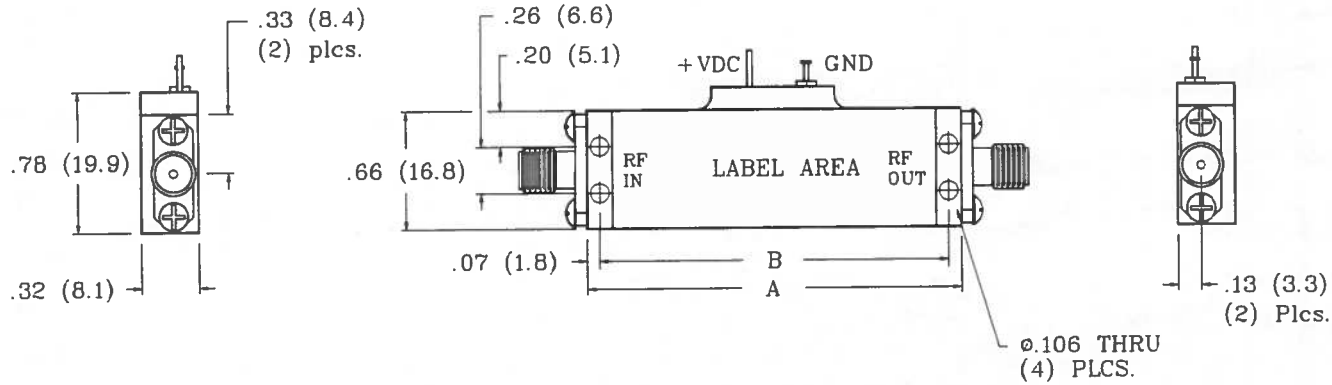
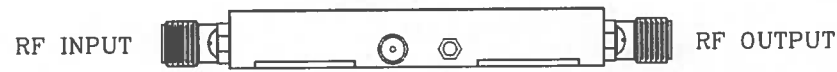


This drawing is "Preliminary" unless stamped "RELEASED".

REVISIONS				
ZONE	REV.	DESCRIPTION	DATE	APPROVED



NOTES:

1. RF connectors are SMA Female.
2. Finish: Electroless Nickel Plate, .001" (min) to .0015" (max) thickness per MIL-C-26074b, all surfaces.

Dwg. No.: OL-001236-XXX

Dash No.	Reference Dimension	
-XXX	A	B
-003	2.09	1.95
-005	2.61	2.47
-007	3.13	2.99

UNLESS OTHERWISE SPECIFIED DIMENSIONS ARE IN $\frac{\text{inches}}{\text{(mm)}}$ TOLERANCE ARE: FRACTIONS DECIMALS ANGLES $\pm 1/32$ $XX \pm .020$ $\pm 1/2^\circ$ $XXX \pm .010$	CONTRACT NO.		<i>Microwave Solutions Inc.</i>			
	APPROVALS		DATE	NATIONAL CITY CALIFORNIA		
MATERIAL:	DRAWN: A. HALL	921201	OUTLINE DRAWING			
FINISH	REVISED: V. CALLANTA	980806	K/X-BAND HOUSINGS, FLATPACK			
DO NOT SCALE DRAWING	RELEASED:		SIZE A	FSCM NO. 65151	DWG. NO. OL-001236-XXX	REV. C
	OLI236_C	980806	SCALE FULL	SHEET 1 OF 1		