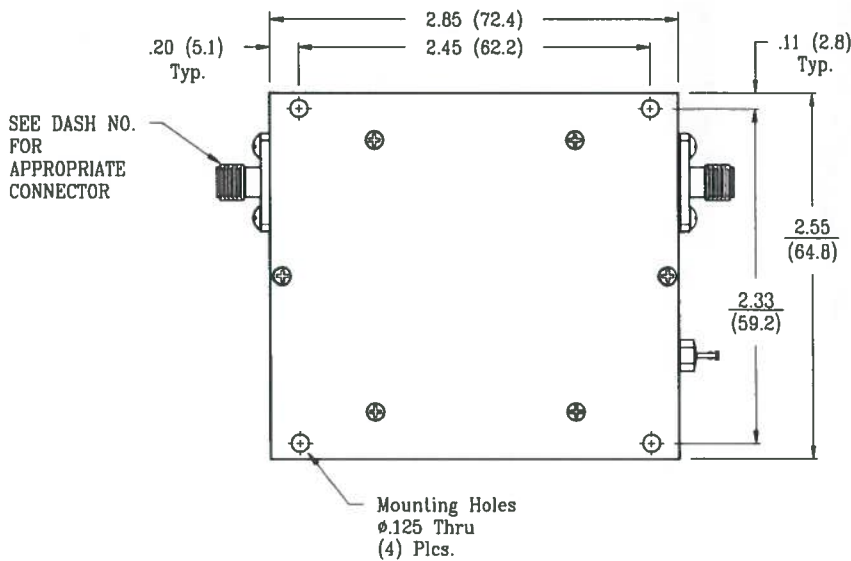
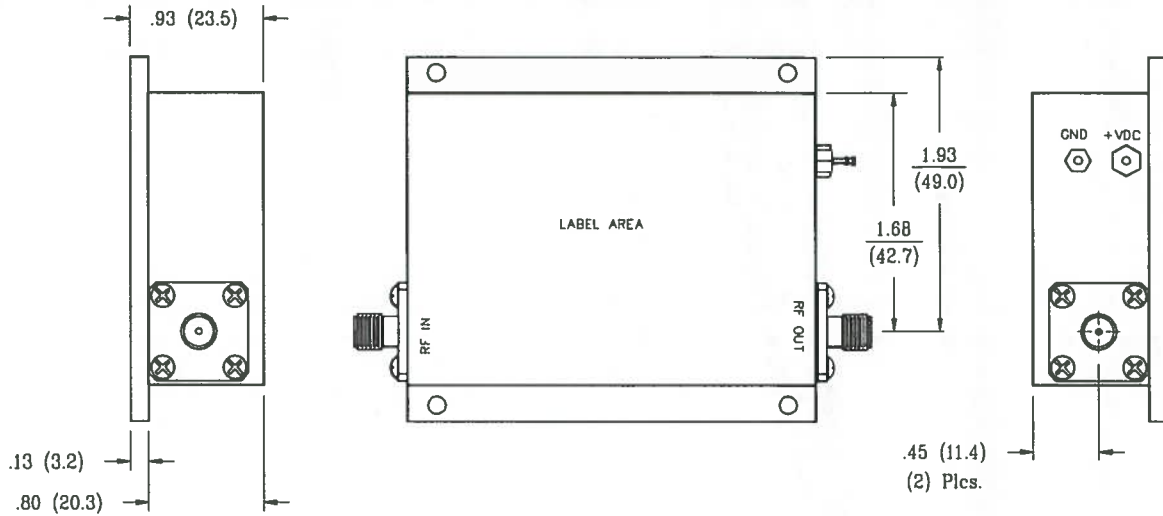


REV.
SH
DWG. NO.

This drawing is "Preliminary" unless stamped "RELEASED".

REVISIONS				
ZONE	REV.	DESCRIPTION	DATE	APPROVED
	C	REV PER J# 99152	990512	



- NOTES:**
1. Finish: Electroless nickel, .0005/.0010 per MIL-C-26074B all surfaces.

RELEASED

OUTLINE NO	CONN.
OL-000676-SMA	SMA
OL-000676-NNN	N
OL-000676-TNC	TNC
OL-000676-BNC	BNC

UNLESS OTHERWISE SPECIFIED DIMENSIONS ARE IN <u>inches</u> (mm) TOLERANCE ARE: FRACTIONS DECIMALS ANGLES ±1/32 XX±.02 ±1/2° XXX±.010	CONTRACT NO.		<i>Microwave Solutions Inc.</i> NATIONAL CITY CALIFORNIA			
	APPROVALS		DATE		OUTLINE DRAWING L-BAND, LNA	
MATERIAL	DRAWN: E. TEYSSIER		890725		SIZE	FSCM NO.
FINISH SEE NOTES	REVISED: V. CALLANTA		981102		DRAWING NO.	REV.
DO NOT SCALE DRAWING	RELEASED				A	65151
	OL676C.DWG		981102		OL-000676-XXX	C
					SCALE 0.80X	SHEET 1 OF 1