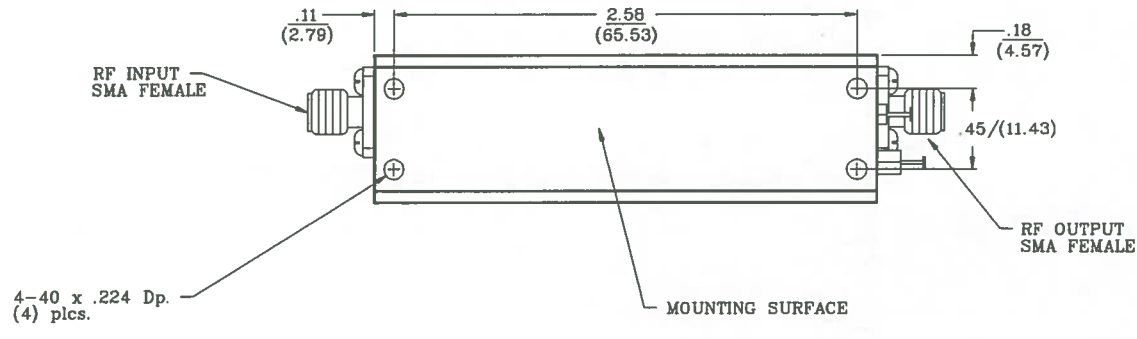
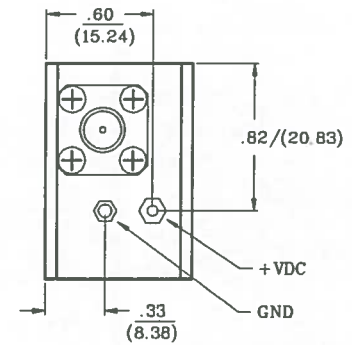
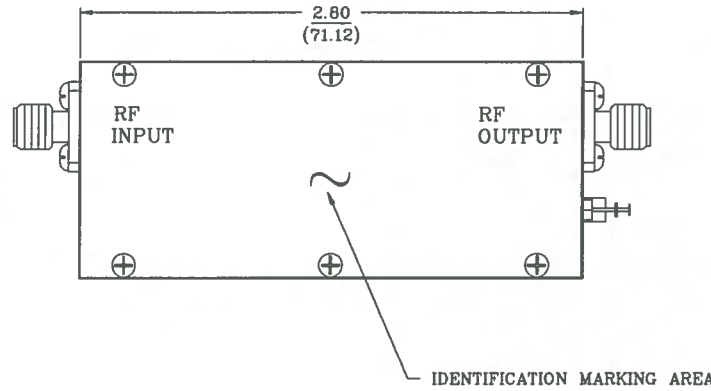
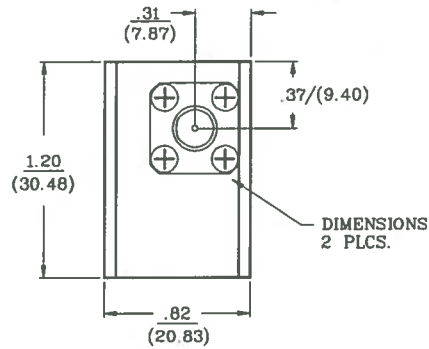


REVISIONS				
ZONE	REV.	DESCRIPTION	DATE	APPROVED



INCHES
(mm)

RELEASED

NOTES:

UNLESS OTHERWISE SPECIFIED DIMENSIONS ARE IN INCHES TOLERANCE ARE: FRACTIONS DECIMALS ANGLES ±1/32 XX±.02 ±1/2° XXX±.010	CONTRACT NO.		<i>Microwave Solutions Inc.</i>		
	APPROVALS		DATE	NATIONAL CITY CALIFORNIA	
MATERIAL: AL ALLOY, 6061-T6	DRAWN A. HALL	970721	OUTLINE DRAWING 4.4-5.0 GHz, LNA		
FINISH 64	CHECK		SIZE A	FSCM NO. 65151	DWG. NO. OL-000822
DO NOT SCALE DRAWING	ISSUED		REV. B	REV. B	
	OL822B.DWG	970721	SCALE FULL	SHEET 1 OF 1	