

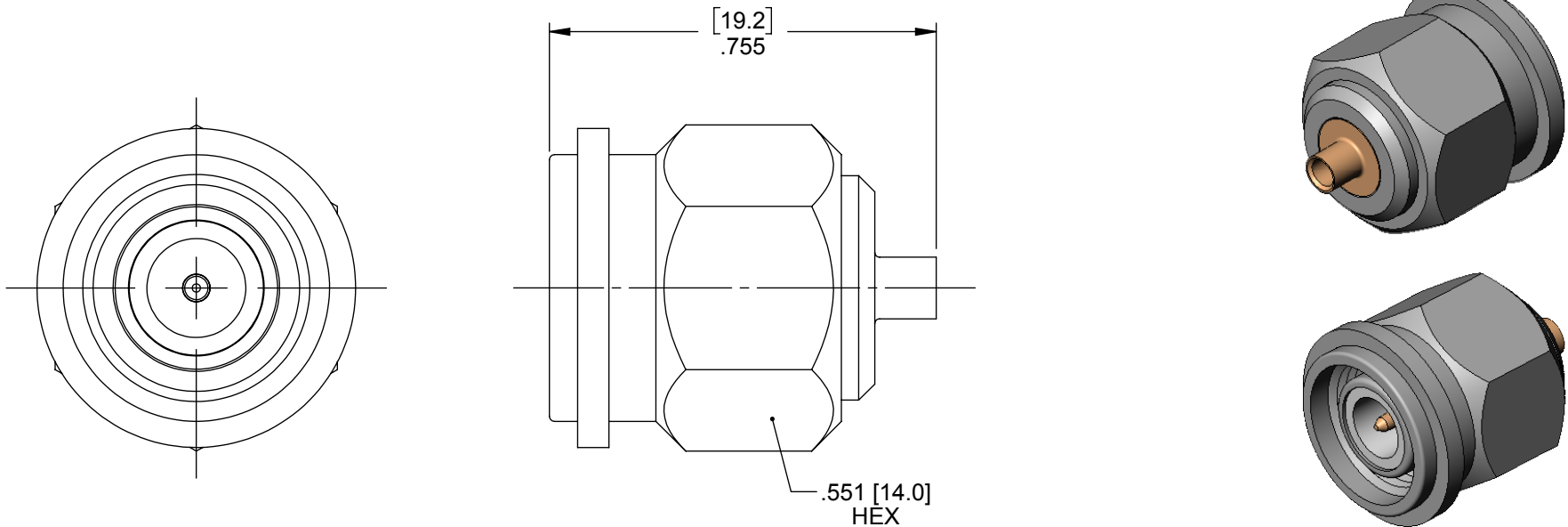
MATERIAL/FINISH PROPERTIES

MATERIAL PROPERTIES:
 BODY: STAINLESS STEEL PER ASTM A582 OR EQUIVALENT
 CONTACT: BRASS PER ASTM B16 OR EQUIVALENT
 INSULATORS: PTFE PER ASTM D1710 OR EQUIVALENT
 GASKETS: SILICONE RUBBER PER AA59588 OR EQUIVALENT

PLATING PROPERTIES:
 BODY: PASSIVATE PER QQ-P-35, TYPE II
 SOLDER BODY: .000010 MIN. GOLD PER MIL-G-45204 OVER
 .000050 MIN. NICKEL PER QQ-N-290
 CONTACT: .000030 MIN. GOLD PER MIL-G-45204 OVER
 .000050 MIN. NICKEL PER QQ-N-290

MECHANICAL/ELECTRICAL PROPERTIES

CONNECTOR MEETS: MIL-STD-348 FIG. 313-1, MIL-PRF-39012
 CONNECTOR MEETS: RoHS 2011/65/EU STANDARDS
 CONNECTOR DURABILITY: 500 CYCLES MIN.
 CABLE: RG405 (.085 S/R) OR EQUIVALENT
 ASSEMBLY INSTRUCTIONS: AI534
 IMPEDANCE: 50 OHMS NOMINAL
 FREQUENCY RANGE: DC-11GHz
 VOLTAGE RATING: 500 VRMS
 INSULATION RESISTANCE: 5,000 MEGOHMS
 DIELECTRIC WITHSTANDING VOLTAGE: 1500 VRMS



A	NPR 1399E	TLB	04/13/17
REV	DESCRIPTION	APPR	DATE

IntelliConnect

UNLESS OTHERWISE SPECIFIED
 ALL DIMENSIONS ARE REFERENCE
 X.XXX DIM'S = INCHES * [X.XX] DIM'S = MILLIMETERS
 SURFACE FINISH: 63 MICRO MAX.
 ALL DIAMETERS TO BE CONCENTRIC WITHIN .005 F.I.M.

TITLE: TNC STRAIGHT CABLED PLUG

MATERIAL & FINISH: PER TABLE ABOVE

DRAWN BY: MS	CHECK BY: REP	APPR. BY: TLB
DATE: 04/13/17	DATE: 04/13/17	DATE: 04/13/17
CAGE CODE NO: 5N5S5	SCALE: 3:1	SIZE: A
SALES DRAWING	PART NO. 5123-P1NN-103-100P	REV: A
		SHEET 1 OF 1