

Description:

PMI Model Number: PEC-30-0R2520R0-5R0-22-12-SFF is a 0.25 to 20.0 GHz low noise amplifier. This amplifier is supplied in housing that can be used as a SMA connectorized or a surface mount component.

Specifications:

Frequency Range: 0.25 to 20.0 GHz
 Gain: 26.5 dB Typ
 Gain Flatness: @ any Operating Temp
 ±1.5 dB Max
 Noise Figure: 5.5 dB Max (*)
 OP1dB: 22 dBm Min
 VSWR Input/Output: 1.7:1 Max
 DC Supply: +12 to +15VDC @ 400mA Typ
 Connectors In/Out: SMA Female
 Finish: Gold Plated
 (*) Noise figure only valid above 1 GHz

Features:

Internal Voltage Regulation
 Unconditional Stability

Available Options:

Various Package types
 Various Connector types
 Temperature Compensation
 Gain and Phase Matching
 MIL-STD-883 Screening Available

Environmental Ratings:

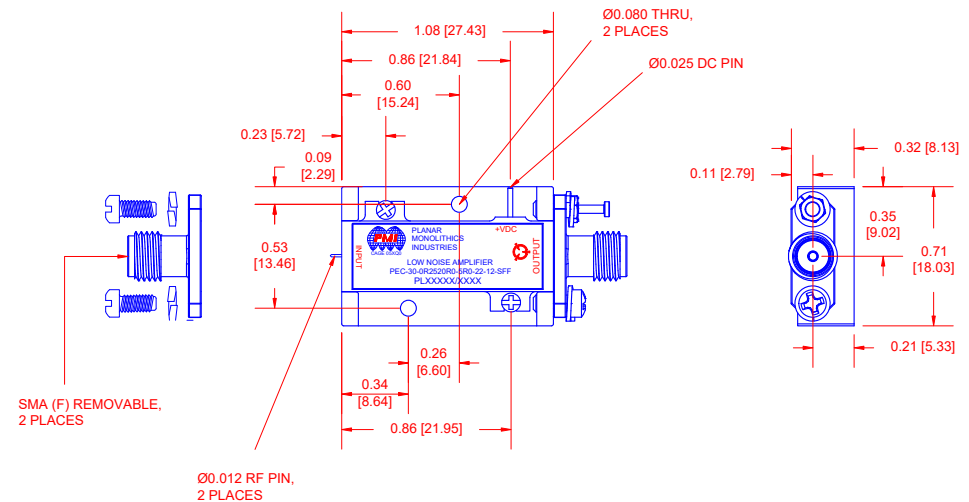
Temperature: -54°C to + 85°C (Operating)
 -57°C to +100°C (Storage)
 Humidity: MIL-STD-202F, METHOD 103B COND B.
 Shock: MIL-STD-202F, METHOD 213B COND B.
 Altitude: MIL-STD-202F, METHOD 105C COND B.
 Temperature Cycle: MIL-STD-202F, METHOD 107D COND A

Note: The above specifications are subject to change or revision.
 Specifications will vary over operating temperature.

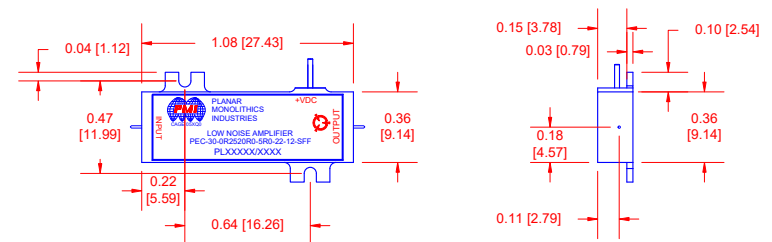
ALL DIMENSIONS ARE IN INCHES
 TOLERANCES:
 X.XX ±0.020
 X.XXX ±0.010

REVISIONS				
ZONE	REV.	DESCRIPTION	DATE	APPROVED
	A1	ORIGINAL RELEASE	12/21/17	
	B1	ECN # 18-0157	07/17/18	
	C1	ECN # 18-0162	07/24/18	
	C2	ECN # 19-0005	01/08/19	
	C3	ECN # 23-0007	01/05/23	

PEC HOUSING WITH CARRIER



PE2 HOUSING WITHOUT CARRIER (SURFACE MOUNT)



PMI CONFIDENTIAL AND PROPRIETARY

PLANAR MONOLITHICS INDUSTRIES, INC.

7311-F GROVE ROAD
 FREDERICK, MARYLAND 21704 USA
 TEL: 301-662-5019 FAX: 301-662-1731
 WEBSITE: www.pmi-rf.com
 E-MAIL: sales@pmi-rf.com
 ISO 9001 CERTIFIED



APPROVALS		DATE	TITLE		
DRAWN <i>SPH</i>		11/27/17	PRODUCT FEATURE		
REDRAWN <i>SPU</i>		12/21/17	PEC-30-0R2520R0-5R0-22-12-SFF		
ISSUED			SIZE A	FSCM NO. 05XQ0	DWG NO. 27033840
			SCALE N:S		SHEET 1 OF 1
					REV. C3