



Dynamic Engineers Inc.

2550 Gray Falls Dr., Suite#128, Houston, TX, 77077 USA
TEL: 1-281-870-8822 EMAIL: Sales@DynamicEng.com

Т 00MT E 0P E I T P: EE
I I T P: A 0 : ca / 0 : A

Electrical Specifications

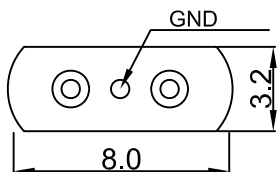
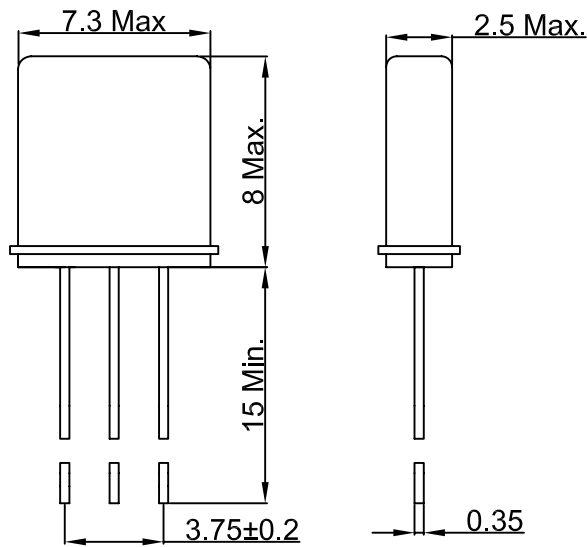
Center Frequency (Fo)	45 MHz
Number of poles	4
Passband Width @ -3dB	+/- 15 KHz min
Ripple	1 dB max
Insertion Loss	3 dB max
Stopband Width@ - 35dB	+/- 50 KHz max
Attenuation@ - 80dB	+/- 910 KHz
Impedance	1200 Ohm//0.7pF

Operating Temperature

-20°C to +70°C

Mechanical Drawing & Pin Connections

Drawing No: MD2000*%1



Unit in mm
1mm = 0.0394 inches