

Waveguide Frequency Converter/Mixer, Model MQU-11

Description:

Spacek Labs model MQU-11 is a Q-band mixer for the RF frequency range of 33 to 50 GHz. Our cross-bar mixer design uses two custom-made hermetic point-contact Schottky barrier diodes. This mixer can be designed in a variety of frequency combinations from single point to full waveguide bands.

Spacek Labs offers a full line of mixers covering the frequency range of 18-110 GHz which can also function as upconverters. These mixers are available with optional DC bias to allow LO input levels as low as 0 dBm.

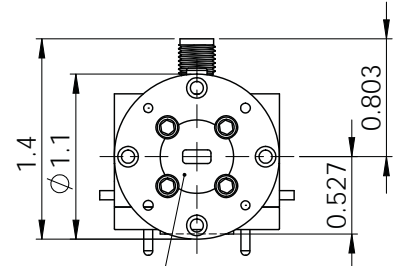
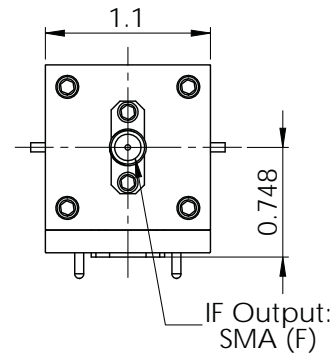
Additionally, to complement your mixer's capabilities, Spacek Labs offers waveguide to coax transitions, filters, detectors, frequency sources, passive and active multipliers and amplifiers.

Electrical Specifications:

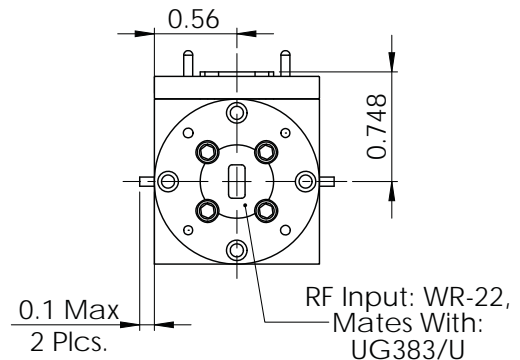
Description	Specification
RF Input Frequency	33-50 GHz
LO Input Frequency	40-60 GHz
LO Input Power	+10 to +15 dBm
IF Output Frequency	DC to 22 GHz in SMA (F)
Conversion Loss	7.5 dB typ., 9.0 dB max
DC Bias	NA

Mechanical Specifications:

Description	Specification
RF Input Flange	WR-22, UG383/U
LO Input Flange	WR-19, UG383/U Mod
IF Output Connector	SMA (F) Coaxial
Dimensions OA	(See drawing)
Material	Brass
Finish	Gold
Weight	5 ounces / 0.14 kg



LO Input: WR-19,
Mates With:
UG383/U Mod



FREQUENCY MIXERS

Spacek Labs, Inc. 212 East Gutierrez Street, Santa Barbara, CA 93101
www.spaceklabs.com | Phone: 805 564-4404 | Fax: 805 966-3249 | Email: sales@spaceklabs.com

Notes: Product data is periodically updated to reflect product / raw material / process / testing changes. This data should not be used as guaranteed specifications. Please contact Spacek Labs to make sure you have the most current data.