



Features and Benefits

- Frequency range: 27.095MHz
- Supply voltage: 5.0V
- Steady current: 25mA/Max
- Output waveform: Sinewave
- Frequency stability vs. operating temperature: ± 2.0 ppm
- Aging: ± 1.0 ppm/year
- Operating temperature: -40°C to $+85^{\circ}\text{C}$
- Size: 20x13x7.5mm

Typical Applications

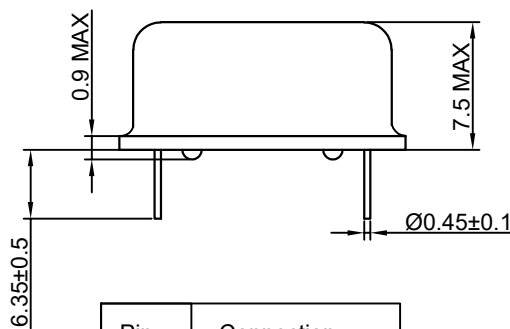
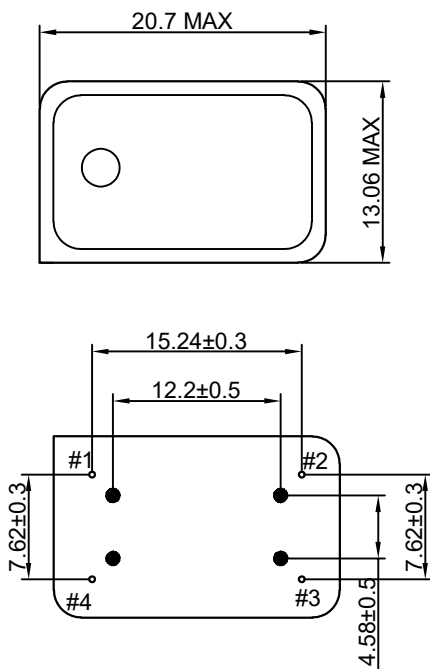
- UHF Synthesizers
- SATCOM System
- Portable Microwave Applications

Description

TCXO2013BE-27.095MHz-A offers wide temperature operation from -40°C to $+85^{\circ}\text{C}$ with outstanding frequency stability performance.

Mechanical Drawing & Pin Connections

Drawing No: MD240021-1



Pin	Connection
1	N.C./V.C.
2	GND
3	Output
4	Vcc

Unit in mm
1mm = 0.0394 inches

