



Features and Benefits

- 38MHz Frequency
- 3.3V Supply voltage
- HCMOS Output waveform
- ±1.0ppm Stability Vs -55°C to +70°C
- 7x5x1.9mm Size

Typical Applications

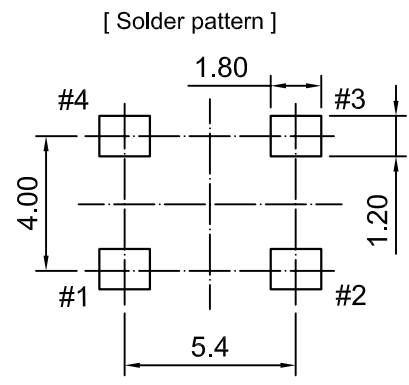
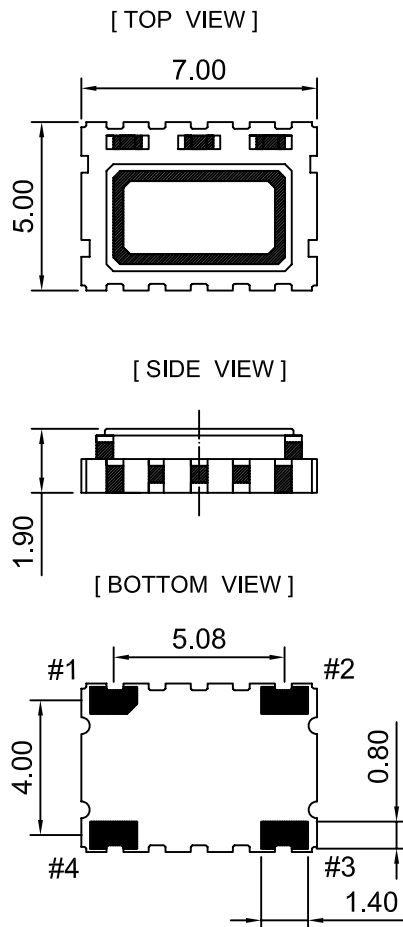
- STRATUM III
- COSPAS/ Sarsat

Description

TCXO7500AN-38MHz-A-V are designed for applications where exceptional frequency stability and timing is required. It has both excellent temperature performance and short-term stability. These characteristics make it an excellent choice for timing applications.

Mechanical Drawing & Pin Connections

Drawing No: MD1) \$\$\$ (-)



PIN	FUNCTION
#1	Control Voltage
#2	GND
#3	RF output
#4	Supply Voltage

Unit in mm
 1mm = 0.0394 inches



Specifications

Oscillator Specification	Sym	Condition	Value			Unit	Note
			Min.	Typ.	Max.		
Operational Frequency	F _{nom}			38		MHz	
RF Output							
Signal Waveform			HCMOS				
Load	R _L		15pf				
H-Level Voltage	V _H		2.97			V	
L- Level Voltage	V _L				0.33	V	
Power Supply							
Supply Voltage	V _{cc}	±5%		3.3		V	
Current					6	mA	
Control voltage			0.5	1.5	2.5	V	
Frequency Deviation Range			±5.0			ppm	
Frequency Stability							
Versus Operating Temperature Range		-55°C to +70°C			±1.0	ppm	
Nominal Frequency Tolerance		25°C			±0.5	ppm	
Versus supply voltage		±5% change		±0.2		ppm	
Versus load voltage		±5% change		±0.1		ppm	
Aging 1 st Year					±1.0	ppm	
Phase Noise(12.8MHz)		100Hz		-120		dBc/Hz	
		1KHz		-140		dBc/Hz	
		10KHz		-150		dBc/Hz	
Environmental,Mechanical Conditions							
Operating temperature range		-55°C to +70°C					