



Features and Benefits

- Frequency range: 100MHz
- Supply voltage: 3.3V
- Steady current: 28mA Max
- Output waveform: Sinewave
- Frequency stability vs. operating temperature: ± 1.0 ppm
- Aging: ± 1.0 ppm per year
- Phase noise@100KHz: -172dBc/Hz
- Operating temperature: -40°C to +85°C
- Size: 14x9x6.5mm

Typical Applications

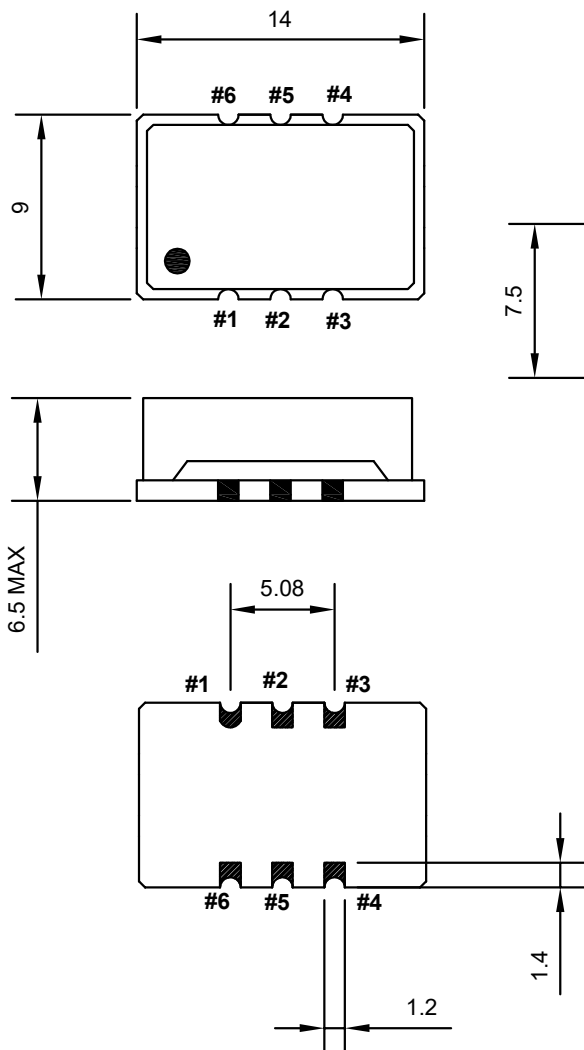
- 5G Repeater
- Link and micro cells
- Low noise microwave

Description

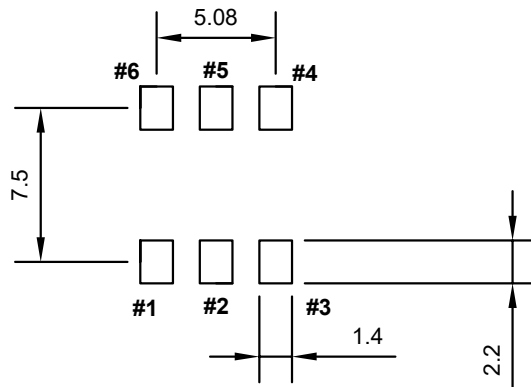
TCXO914BT-100MHz-A offers wide temperature operation from -40°C to +85°C with outstanding frequency stability and low phase noise performance.

Mechanical Drawing & Pin Connections

Drawing No: MD190003-2



Solder pattern



PIN Function

#1	GND or N.C.
#2	N.C. or GND
#3	GND
#4	RF Output
#5	N.C. or GND
#6	Vcc

unit in mm
1mm = 0.0394 inches

