



### Features and Benefits

- Ultra low noise
- Linear tuning characteristics
- Low pushing / Low pulling

### Typical Applications

- SATCOM Point –to–Point
- Receiver Radio
- Test Equipment MMDS
- Radar WiMax

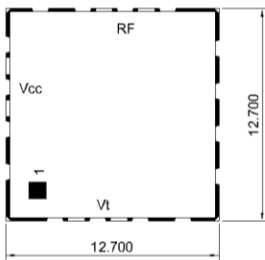
### Specifications

Parameter	Units	Min	Typ	Max
Operating Frequency Range	MHz	1045		1055
Output Power	dBm		+4.0	
Output Impedance	$\Omega$		50	
Phase Noise	@10kHz offset	dBc/Hz	-125	
	@100kHz offset	dBc/Hz	-145	
Tuning Voltage (Vt)	Vdc	+1		+11
Tuning Voltage Sensitivity (Kv)	MHz/V		3	
2nd Harmonic Suppression	dBc		-13	
Power Supply (Vcc)	Voltage	Vdc	5	
	Current	mA	42	
Pushing Figure	MHz/V		0.1	
Pulling Figure	MHz		0.1	
Input Capacitance	pF		10	
Operating Temp. Range	$^{\circ}\text{C}$	-40		+85

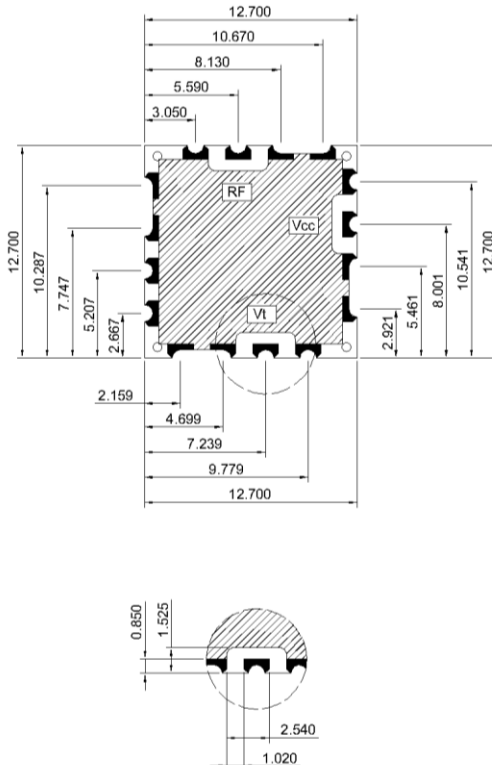
### Mechanical Drawing & Pin Connections

Drawing No: MD140084-1

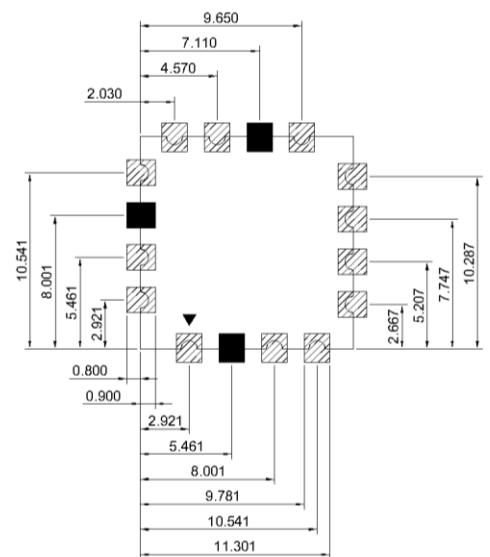
Top View



Bottom View



Foot Print



Side View



Pin Connections

2	Vt
10	RFOUT
14	Vcc
Others	GND

Unit : mm