



### Features and Benefits

- Low phase noise
- Linear tuning characteristics
- Low pushing / Low pulling
- Aqueous washable

### Typical Applications

- SATCOM
- Receiver
- Test Equipment
- Radar
- Point –to-Point Radio
- MMDS
- WiMax

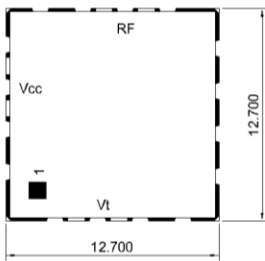
### Specifications

| Parameter                       | Units   | Min. | Typical | Max. |
|---------------------------------|---------|------|---------|------|
| Operating Frequency Range       | MHz     | 2156 |         | 2224 |
| Output Power                    | dBm     |      | 3       |      |
| Phase Noise @10kHz offset       | dBc/Hz  |      | -105    |      |
| Tuning Voltage (Vt)             | Vdc     |      | 0.5-4.5 |      |
| Tuning Voltage Sensitivity (Kv) | MHz/V   |      | 36      |      |
| 2nd Harmonic Suppression        | dBc     |      | -25     |      |
| Power Supply (Vcc)              | Voltage |      | 5       |      |
|                                 | Current |      | 27      |      |
| Operating Temp. Range           | °C      | -40  |         | +85  |

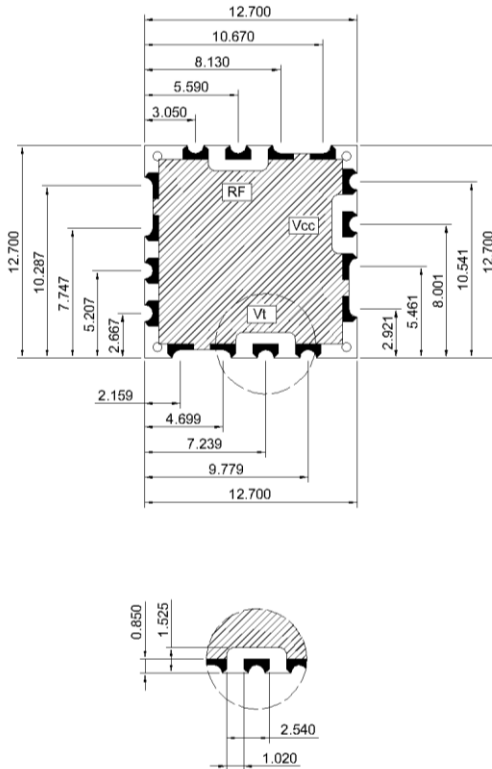
### Mechanical Drawing & Pin Connections

Drawing No: MD140084-1

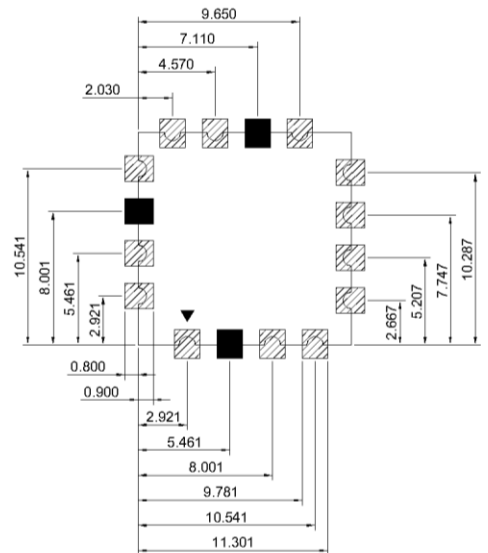
Top View



Bottom View



Foot Print



Side View



Pin Connections

|        |       |
|--------|-------|
| 2      | Vt    |
| 10     | RFOUT |
| 14     | Vcc   |
| Others | GND   |

Unit : mm