



**Features and Benefits**

- Low phase noise
- Linear tuning characteristics
- Low pushing / Low pulling
- Aqueous washable

**Typical Applications**

- SATCOM Point-to-Point
- Receiver Radio
- Test Equipment MMDS
- Radar WiMax

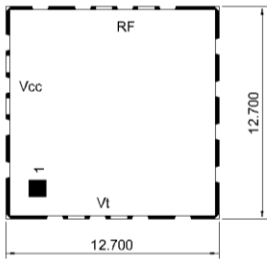
**Specifications**

Parameter	Units	Min.	Typical	Max.
Operating Frequency Range	MHz	75		150
Output Power	dBm		9	
Phase Noise @10kHz offset	dBc/Hz		-110	
Tuning Voltage (Vt)	Vdc		1-16	
Tuning Voltage Sensitivity (Kv)	MHz/V		6.5	
2nd Harmonic Suppression	dBc		-14	
Power Supply (Vcc) Voltage	Vdc		5	
Power Supply (Vcc) Current	mA		18	
Operating Temp. Range	°C	-40		+85

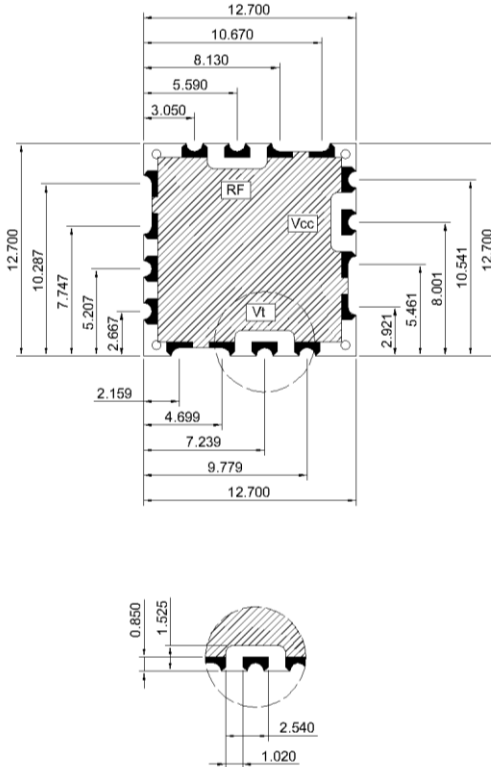
**Mechanical Drawing & Pin Connections**

Drawing No: MD140084-1

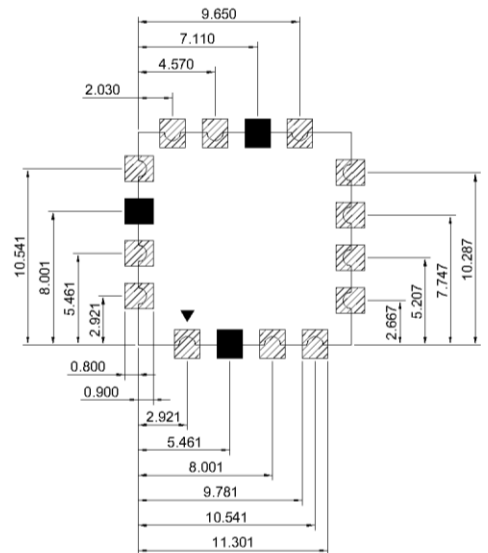
Top View



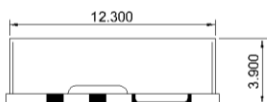
Bottom View



Foot Print



Side View



Pin Connections

2	Vt
10	RFOUT
14	Vcc
Others	GND

Unit : mm