



Features and Benefits

- Low phase noise
- Linear tuning characteristics
- Low pushing / Low pulling
- Aqueous washable

Typical Applications

- SATCOM
- Receiver
- Test Equipment
- Radar
- Point –to-Point Radio
- MMDS
- WiMax

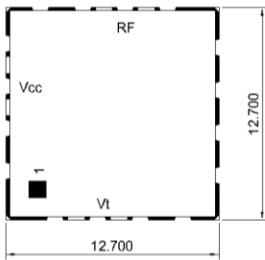
Specifications

Parameter	Units	Min.	Typical	Max.
Operating Frequency Range	MHz	940		958
Output Power	dBm		6	
Phase Noise @10kHz offset	dBc/Hz		-127	
Tuning Voltage (Vt)	Vdc		1-9	
Tuning Voltage Sensitivity (Kv)	MHz/V		3.2999999999999998	
2nd Harmonic Suppression	dBc		-20	
Power Supply (Vcc)	Voltage		8	
	Current		28	
Operating Temp. Range	°C	-40		+85

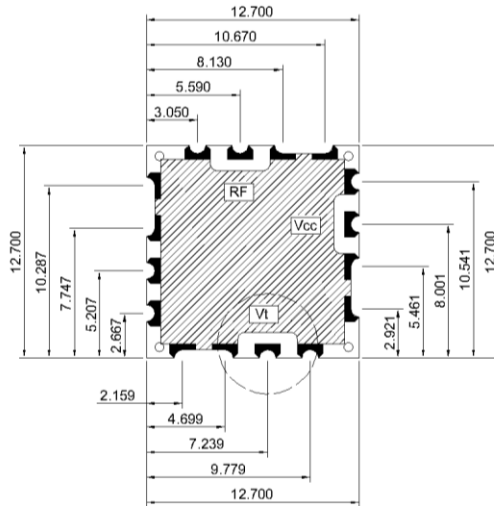
Mechanical Drawing & Pin Connections

Drawing No: MD140084-1

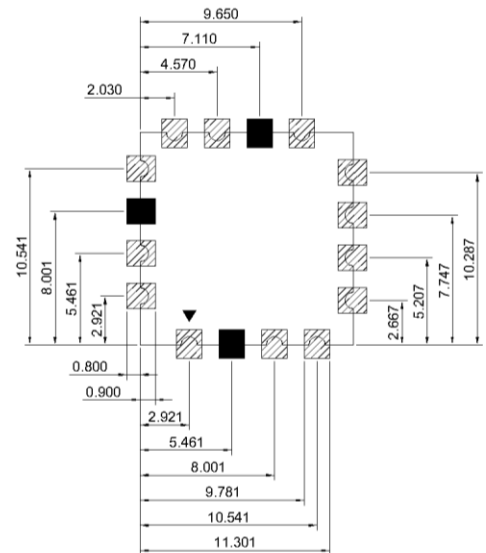
Top View



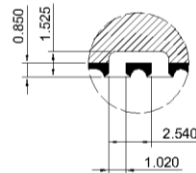
Bottom View



Foot Print



Side View



Pin Connections

2	Vt
10	RFOUT
14	Vcc
Others	GND

Unit : mm