



### Features and Benefits

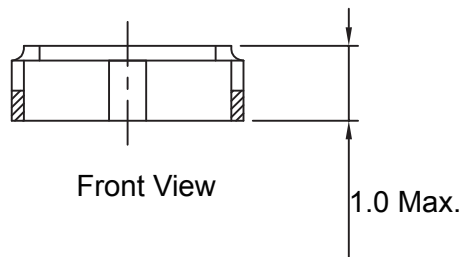
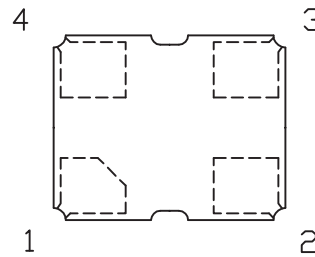
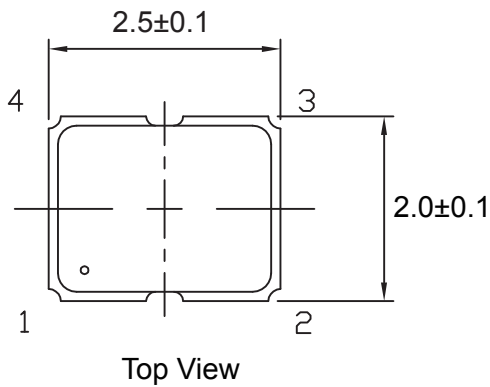
- Frequency range: 20MHz
- Supply voltage: 5V
- Steady current: 30mA Max
- Output waveform: CMOS
- Frequency Tolerance:  $\pm 50$ ppm
- Aging:  $\pm 5$ PPM first year
- Operating temperature:  $-40^{\circ}\text{C}$  to  $+85^{\circ}\text{C}$
- Size: 2.5x2.0x1.0mm

### Typical Applications

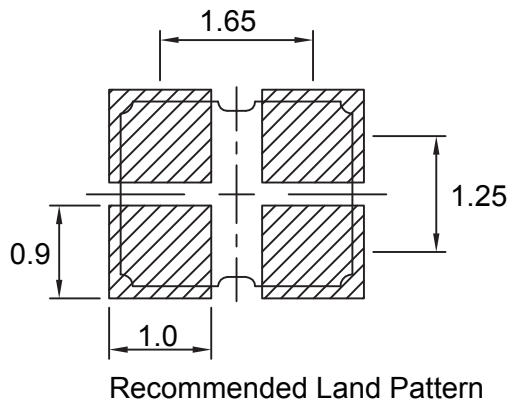
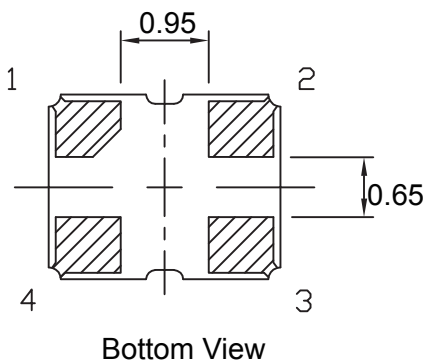
- IWLAN
- GPS
- Smart phone

### Mechanical Drawing & Pin Connections

Drawing No: MD200055-1



INH	'H' or Open	'L' (Standby)
Output	Enable	High Impedance





**Specifications**

Oscillator Specification	Sym	Condition	Value			Unit	Note
			Min.	Typ.	Max.		
Frequency Range				20		MHz	
<b>RF Output</b>							
Output Waveform			CMOS				
Load	R <sub>L</sub>				15	pF	
H-Level Voltage	V <sub>H</sub>		90% V <sub>DD</sub>			V	
L- Level Voltage	V <sub>L</sub>				10% V <sub>DD</sub>	V	
Symmetry		@50%VDC	40%		60%		
Rise and Fall Time		Tr/Tf			6	ns	
<b>Power Supply</b>							
Supply Voltage	V <sub>cc</sub>	±10%		5.0		V	
Current					30	mA	
Standby Current				10		uA	
<b>Frequency Stability</b>							
Frequency Tolerance		-40°C to +85°C			±50	ppm	
Aging 1 <sup>st</sup> Year					±5.0	ppm	
<b>Environmental, Mechanical Conditions</b>							
Operating temperature range		-40°C to +85°C					
Storage temperature range		-40°C to +90°C					