



Features and Benefits

- 16MHz to 50MHz frequency range
- Frequency stability vs. temperature ± 50 PPM
- 8pF load capacitance
- Operating temperature: -20°C to +70°C

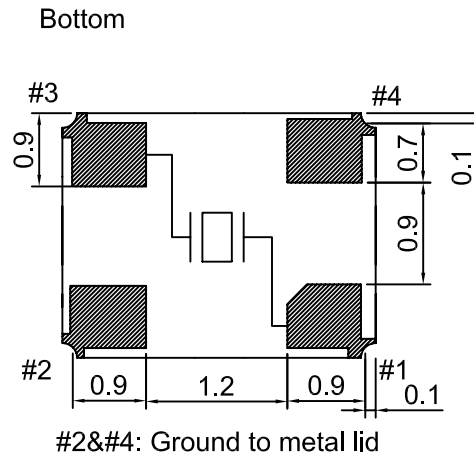
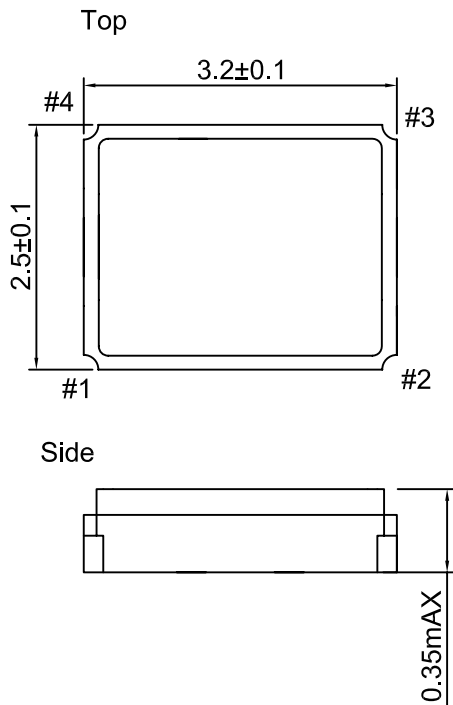
Typical Applications

- Automotive
- WLAN

Mechanical Drawing & Pin Connections

Drawing No:

MD% \$14)



Unit in mm
1mm = 0.0394 inches



Specifications

Specification	Sym	Condition	Value			Unit	Note
			Min.	Typ.	Max.		
Frequency	F		16		50	MHz	
Oscillation mode			At-cut fundamental				
Load Capacitance	CL		7.8	8.0	8.2	pF	
Equivalent Series Resistance	Rs				100	Ohm	
Shunt Capacitance	Co			0.4	5.0	pF	
Drive Level	P	10uW for testing			100	uW	
Insulation Resistance		@100V DC	500			Ohm	
Frequency Tolerance	df/F	at +25°C ±3°C	± 30 (±0.003%)			ppm	
Temperature Stability	df/F	over -20°C to +70°C	± 50 (±0.005%)			ppm	
Aging		at +25°C ±3°C			±5.0	ppm	Per year
Environmental Conditions							
Operating Temperature range	-20°C to +70°C						
Storage Temperature range	-40°C to +85°C						
Reflow Soldering Condition	10 sec. max. at +250°C ±10°C						