



Features and Benefits

Typical 3.2x2.5x0.7mm ultra-thin ceramic package
8mm width tape and reel package for automatic assembly
Tight tolerance 10ppm available

Typical Applications

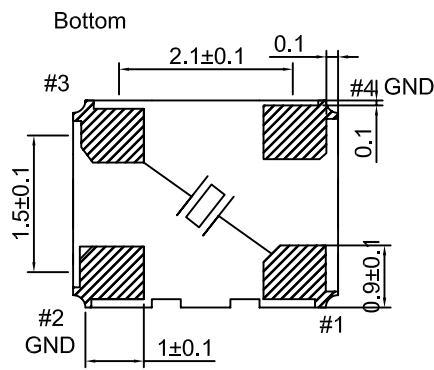
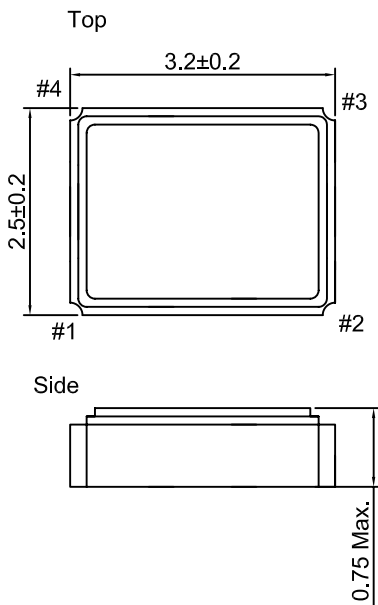
Bluetooth, Mobile phone, GPS
Wireless LAN, 4G/LTE
Hard Disk

Description

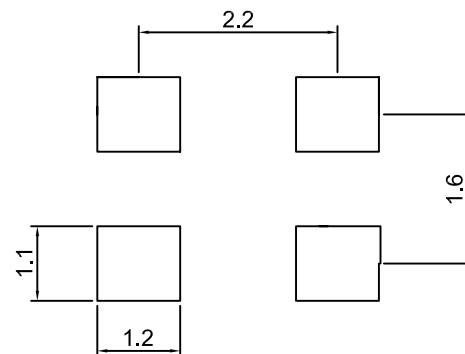
Xtal3225S_series offers Tight tolerance and 3.2x2.5x0.7mm ultra-thin ceramic package. This device is suitable for use under various telecom and network communication applications.

Mechanical Drawing & Pin Connections

Drawing No: MD1* 00%42



Unit : mm
1mm=0.0394inch



Recommended soldering pattern



Specifications

Oscillator Specification	Sym	Condition	Value			Unit	Note
			Min.	Typ.	Max.		
Storage temperature			-55		125	°C	
Standard Frequency			16,24,26,27,32,40			MHz	
Level of drive				10	200	uW	
Shunt capacitance	C0				3.0	pF	
Insulation resistance			500Mohm@DC 100V				
Equivalent Series Resistance(ESR)		12 MHz ≤ F ₀ ≤ 13 MHz			150	ohm	
		13 MHz < F ₀ ≤ 19.5 MHz			80		
		19.5 MHz < F ₀ ≤ 27 MHz			60		
		27 MHz < F ₀ ≤ 60 MHz			50		
Aging			±1.0 to ±3.0			ppm/year	

Ordering Options Availability

Frequency Stability [ppm]	Operating Temperature Range [°C]		
	-10 ~ +60	-20 ~ +70	-40 ~ +85
±5	Conditional	Not Available	Not Available
±10	Available	Available	Not Available
±15	Available	Available	Conditional

Frequency Stability [ppm]	Operating Temperature Range [°C]	
	-40 ~ +105	-40 ~ +125
±15	Conditional	Not Available
±20	Available	Not Available
±30	Available	Conditional
±50	Available	Available

Not all combinations of temperature range and stability are available. Please consult DEI for details.