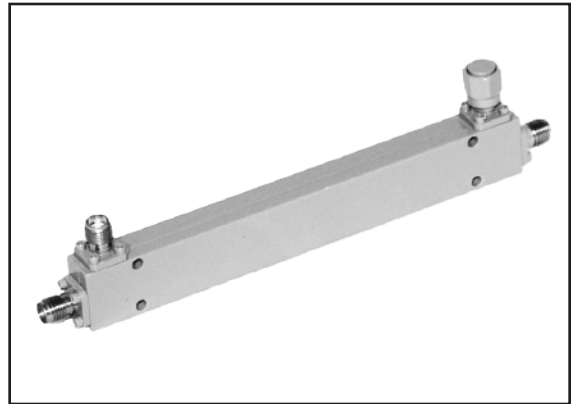


# Single Directional Couplers

## C1-A85-10, 20, 30dB Single Directional Coupler

Model	C1-A85-XX		
<b>Frequency Range:</b>	<b>0.5 - 12.4 GHz</b>		
<b>Coupling (incl. freq. sens.):</b>	<b>10, 20, 30 dB ± 1.25 dB</b>		
Frequency Sensitivity:	± 1.0 dB		
Frequency range (GHz):	0.5 - 4.0	4.0 - 8.0	8.0 - 12.4
Directivity (dB):	20	17	17
Insertion Loss (dB)*:	0.50	0.70	1.13
VSWR, Main line:	1.22:1	1.22:1	1.22:1
VSWR, Secondary:	1.22:1	1.22:1	1.22:1
Power:	30 Watts		
Peak:	3 kW		
Connectors:	SMA Female		

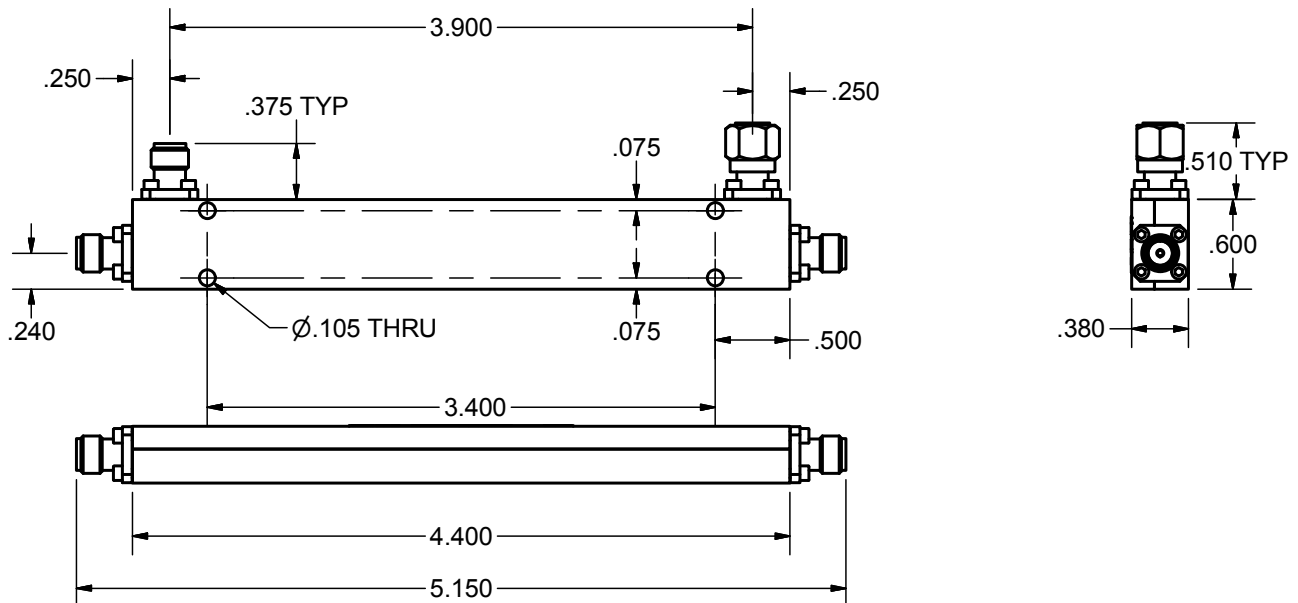


The Model C1-A85 Series is one of RD Microwaves new Taperline products for broadband flat coupling values over the full range of 0.5-12.4 GHz. The frequency sensitivity is included in the coupling accuracy specification over the full frequency range. The unit uses a stripline continuous taper construction with an RFI compression sealing system for temperature insensitive performance and RF leakage control.

\*Only for C1-A85-10: add 0.61dB

- 30 W average power
- Low VSWR and loss

**Made in USA.**



R&D Microwaves LLC, 301 Rockaway Valley Road, Boonton, NJ 07005 USA  
 Tel. 908.212.1696 [www.rdmicrowaves.com](http://www.rdmicrowaves.com)  
 email: [sales@rdmicrowaves.com](mailto:sales@rdmicrowaves.com)