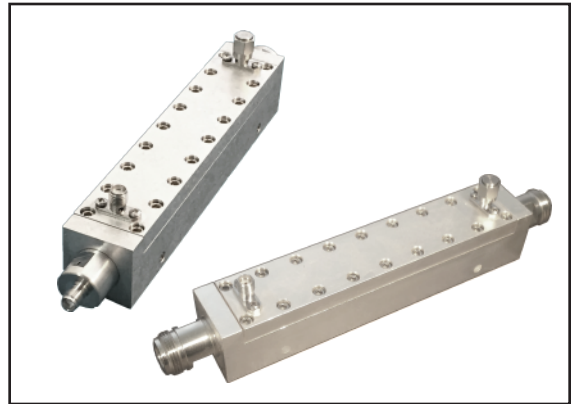


# Single Directional Couplers

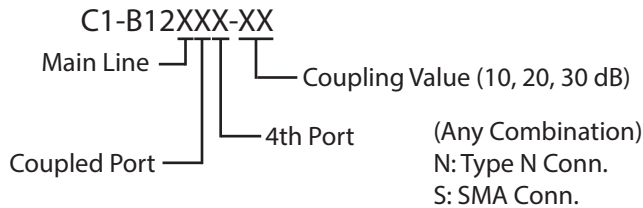
Type N or SMA, 500-18,000 MHz 10, 20, or 30 Single Directional Coupler

Model	C1-B12N-XX/C1-B12S-XX		
<b>Frequency Range:</b>	<b>500 - 18000 MHz</b>		
Coupling:	10 dB	20 dB	30 dB
Directivity:	0.5-16 GHz	16-18 GHz	15 dB (20dB Typ.)
	15dB MIN	13dB MIN	
Insertion Loss, Max:	0.5 dB	0.3 dB	
VSWR:	1.25-1.35 Typical (Input Port Only)		
Nominal dB Value @ 500 MHz:	12.75 dB	22.5 dB	32.5 dB
Nominal dB Value @ 698 MHz:	11.0 dB	21.0 dB	31.0 dB
Coupling Accuracy, 1-18 GHz:	±1.25 dB	±1.0 dB	±1.0 dB
PIM 2X20W:	160 dBc		
Main Input Power, SMA:	10 W Avg / 3 kW Peak	50 W Avg / 3 kW Peak	
Main Input Power, Type N:	20 W Avg / 3 kW Peak	500 W Avg / 3 kW Peak	
Cpl Port Input Power, SMA:	1 W Avg / 1 kW Peak		
Cpl Port Input Power, Type N:	2 W Avg / 1.5 kW Peak		
Connectors:	Type N or SMA female		
Material:	Aluminum		
Housing	Aluminum		
Inner Conductor & Connectors	Brass, Silver Plated		
Finish:	Clear Iridite (RAL 1013 Paint Available Upon Request)		

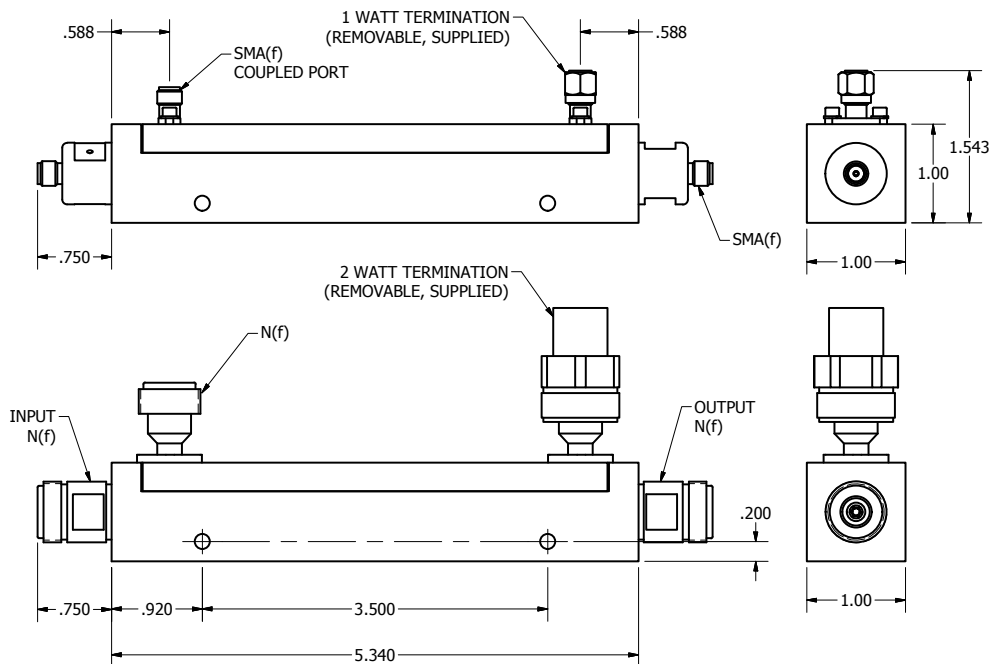


R&D Microwaves Model C1-B12 is one of R&D's new taperline products for broadband flat coupling value over the full frequency range 500 - 18000 MHz. The frequency sensitivity is included in the coupling accuracy specification over the full frequency range per the chart. The unit uses a unique tapered coaxial airline (Taperline) continuous taper construction with an RFI compression sealing system for temperature insensitive performance and RF leakage control. The air dielectric and solid conductors are associated with low insertion loss, very high power and low PIM performance.

- Low VSWR and Loss Patent No. US 9,543,631 B1
- High Reliability, Low PIM
- All Coupling Values can be supplied with 4 connectors for use with an external termination



Made in USA.



R&D Microwaves LLC, 301 Rockaway Valley Road, Boonton, NJ 07005 USA  
 Tel. 908.212.1696 [www.rdmicrowaves.com](http://www.rdmicrowaves.com)  
 email: [sales@rdmicrowaves.com](mailto:sales@rdmicrowaves.com)

