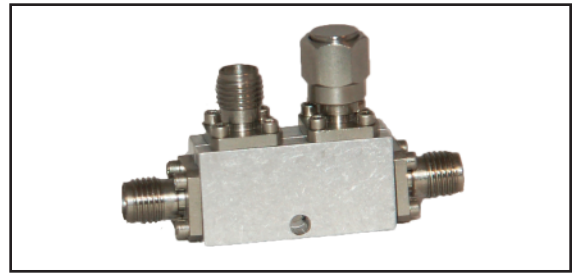


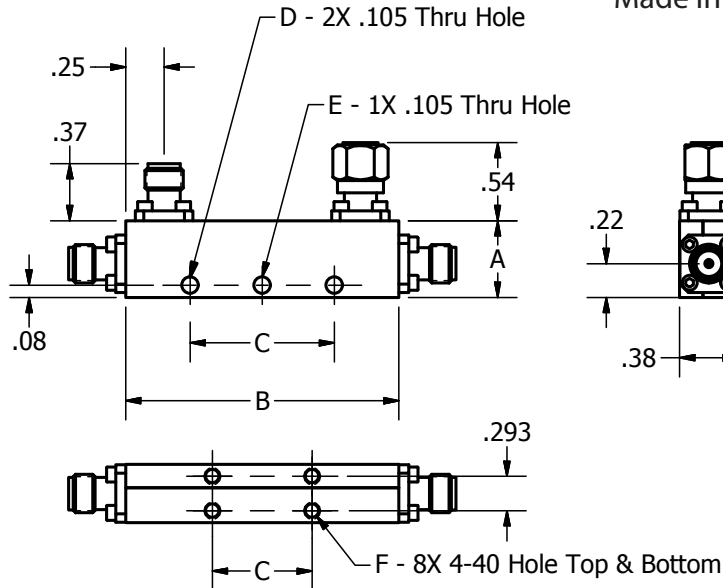
Single Directional Couplers

SMA Octave Couplers, 0.5-18 GHz

Common Specifications		
Coupling:	6, 10 dB	20, 30 dB
Input Power:	10 Watts Max	50 Watts Avg, 3 kW Peak
Connectors:	SMA Female	
Temperature:	-55 to +85 °C	
Specifications apply @ room temperature 25 ± 5 °C		



Made in USA.



Outline	A	B	C	Mtg Holes
1	0.5	3.1	1.5	D
2	0.5	1.78	0.94	D
3	0.59	1.84	0.94	D
4	0.55	1.16	0.34	D
5	0.5	1.16	0.34	D
6	0.5	1	-	E
7	0.55	1	-	E
8	0.6	1	-	E

RD product number	Frequency (GHz)	Coupling (dB)*	Flatness (±dB)	Directivity (dB)	Path Loss (dB Max)	Insertion Loss (dB Max)	VSWR		Outline
							main line	cpld port	
C1-B15-6	0.5 - 1.0	6 ±1.00	0.75	25	1.9	0.2	1.1	1.1	1
C1-B15		10 ±1.25			0.85				1
C1-B15-20		20 ±1.25			0.3				1
C1-B15-30		30 ±1.25			0.3				1
C1-B05-6	1.0 - 2.0	6 ±1.00	0.75	25	1.9	0.2	1.1	1.1	2
C1-B05		10 ±1.25			0.85				2
C1-C17		20 ±1.25			0.3				2
C1-B76		30 ±1.25			0.3				3
C1-B30	2.0-4.0	6 ±1.00	0.60	22	1.9	0.2	1.15	1.15	4
C1-B96		10 ±1.25	0.75		0.85				5
C1-B30-20		20 ±1.25	0.70		0.3				4
C1-B30-30		30 ±1.25	0.75		0.3				4
C1-A95	2.6-5.2	6 ±1.00	0.60	20	1.95	0.25	1.25	1.25	6
C1-A92	4.0 - 8.0	6 ±1.00	0.60	20	1.95	0.25	1.25	1.25	6
C1-B22		10 ±1.25	0.75		0.9				6
C1-A93		20 ±1.25	0.75		0.35				6
C1-B77		30 ±1.25	0.75		0.35				6
C1-B08-6	7.0-12.4	6 ±1.00	0.50	17	2	0.4	1.3	1.3	7
C1-B32		10 ±1.00			0.95				7
C1-B08-20		20 ±1.00			0.4				7
C1-B08-30		30 ±1.00			0.4				7
C1-B72	12.4 - 18.0	6 ±1.00	0.50	15	2.3	0.5	1.3	1.4	6
C1-A79		10 ±1.00			1.15				6
C1-A79-20		20 ±1.00			0.6				6
C1-B68		30 ±1.00			0.6				8

*Includes Flatness

Specifications Subject to Change Without Prior Notification

R&D Microwaves LLC, 301 Rockaway Valley Road, Boonton, NJ 07005 USA

Tel. 908.212.1696 www.rdmicrowaves.com

email: sales@rdmicrowaves.com

Rev 1.8
7/16/2021