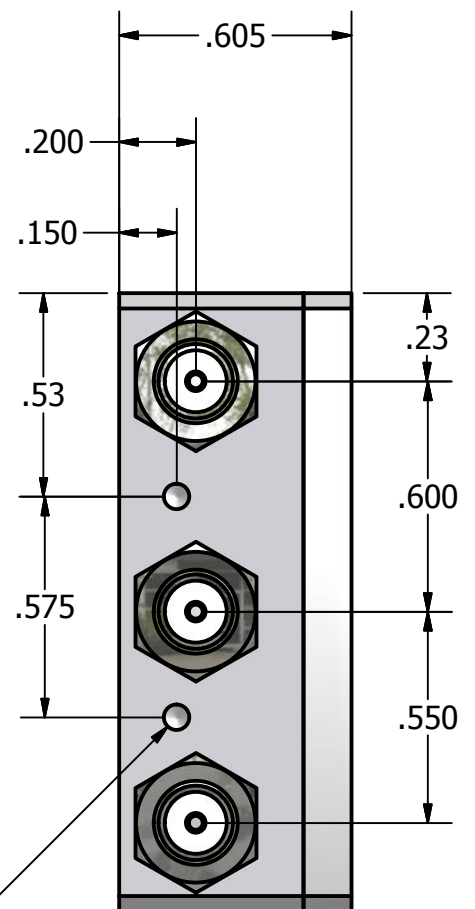
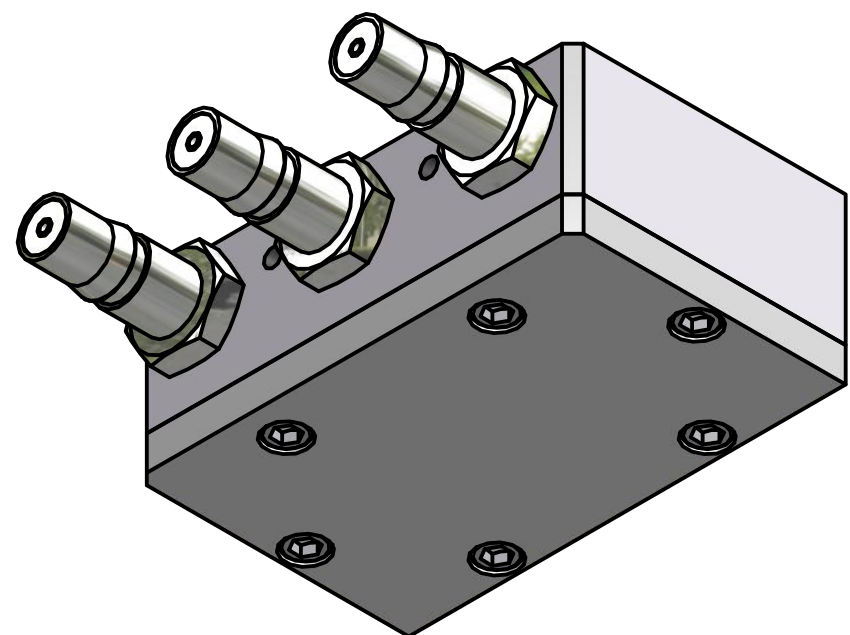
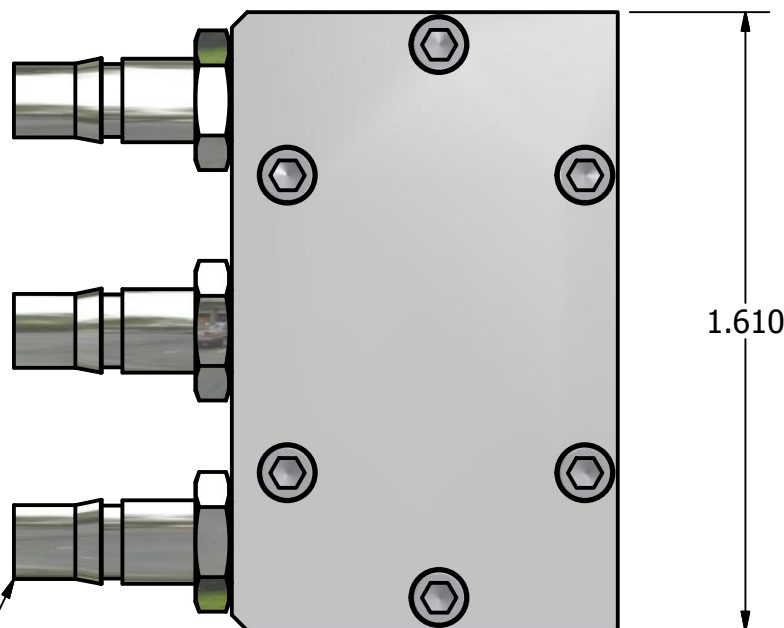
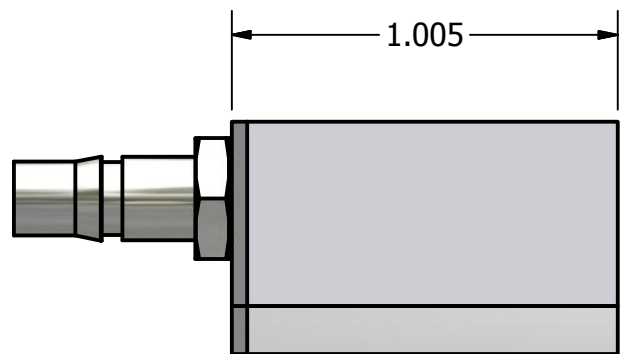


REVISION HISTORY				
ZONE	REV	DESCRIPTION	DATE	APPROVED
	1	ENGINEERING RELEASE	12-21-15	TB



2-56 UNC - 2B ∇ .140


QMA FEMALE 3 PLS.

HOLE TOLERANCE: X.XXX \pm .001
 LENGTH TOLERANCE: X.XXX \pm .003
 THREADS SPECIFICATION AFTER PLATING
 PROPERTY OF R&D MICROWAVES LLC
 ALL DIMENSIONS DERIVED FROM THE ELECTRONIC
 FILE SHOULD BE WITHIN \pm 0.005 FROM TRUE
 POSITION, UNLESS OTHERWISE NOTED

SPECIFICATION:

IMPEDANCE: 50 OHMS
 FREQUENCY RANGE: 0.088 TO 2.7 GHz
 MINIMUM ISOLATION: 5.8 dB
 MINIMUM VSWR: 1.25:1
 MAXIMUM INSERTION PATH LOSS: 7.3 dB

MATERIAL: ALUMINIUM 6061-T6
 FINISH: RoHS CLEAR CHEM FILM
 PER MIL-DTL-5541 TYPE 2 CLASS 3,
 REMOVE ALL BURRS.

DRAWN ThomasB	12/21/2015	 R&D Microwaves LLC, USA		
CHECKED			TITLE	
QA		RESISTIVE 2 WAY DIVIDER MADE FOR DAS-A58		
MFG				
APPROVED		SIZE	DWG NO	REV
		B	D2-A66Q-OLrev1	1
		SCALE	SHEET 1 OF 1	