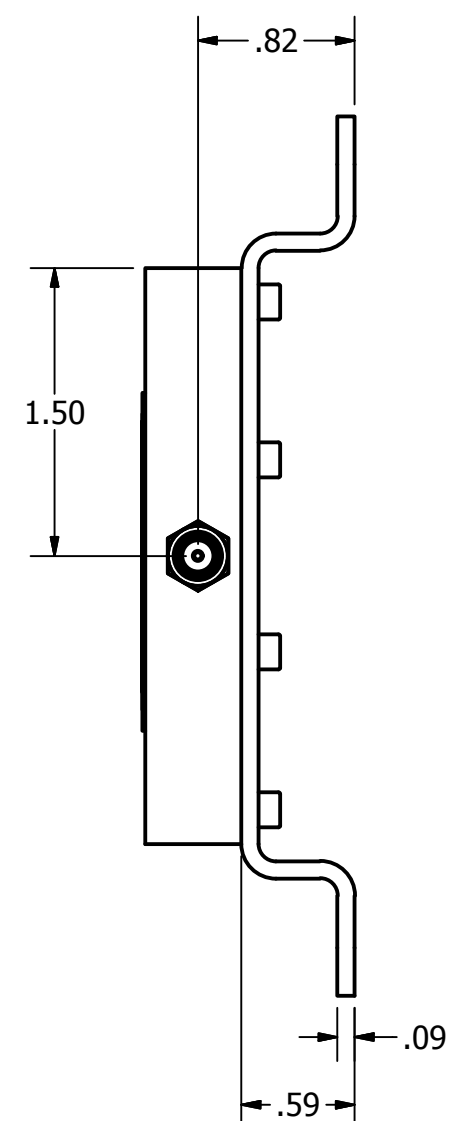
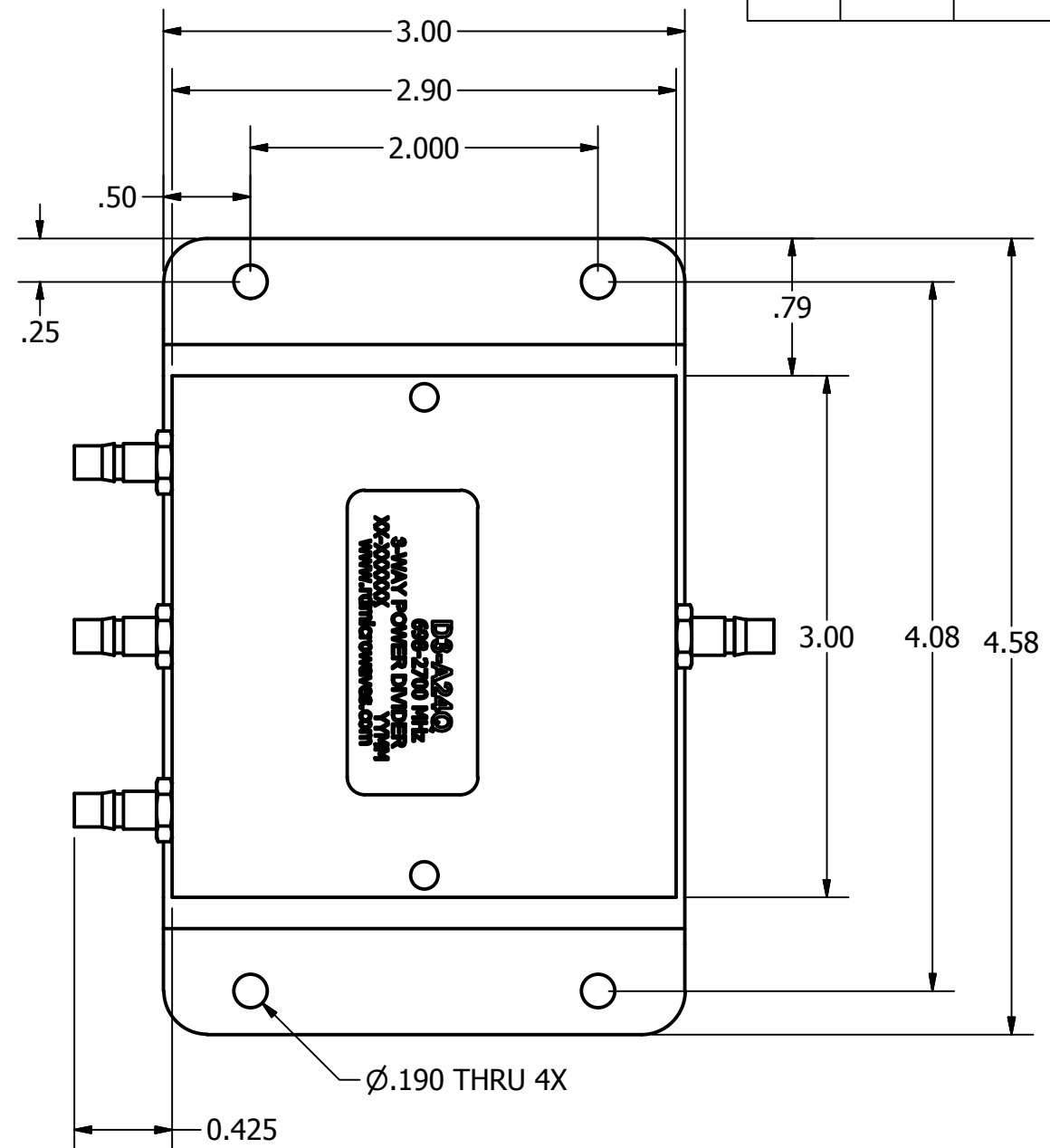
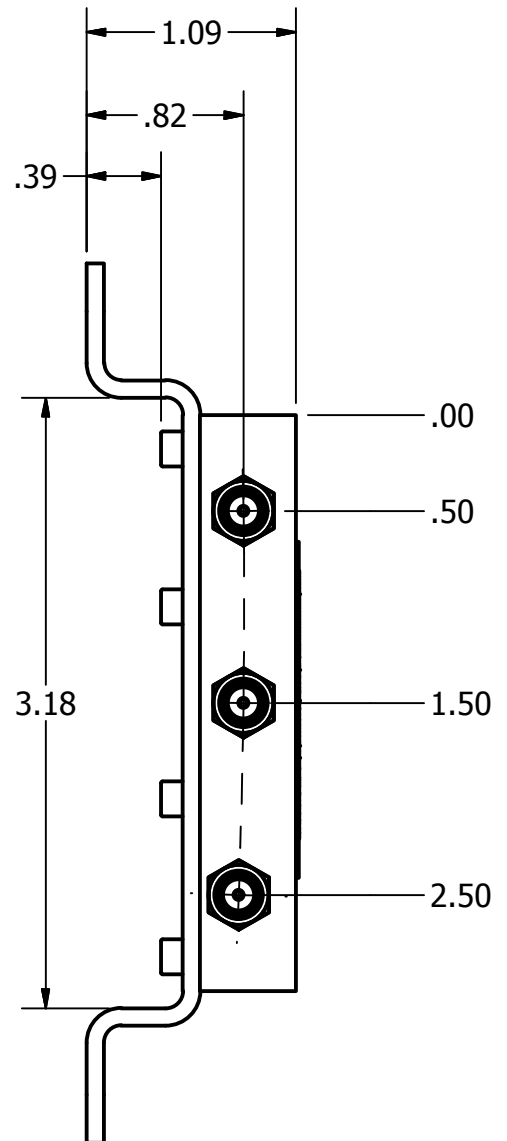



REVISION HISTORY				
ZONE	REV	DESCRIPTION	DATE	APPROVED
	1	ENGINEERING RELEASE Split D3-A24S & Q outlines	12/9/16 12/12/16	TB TB



HOLE TOLERANCE: X.XXX ±.003  
 LENGTH TOLERANCE: X.XXX ±.01  
 LENGTH TOLERANCE: X.XX ±.03  
 PROPERTY OF R&D MICROWAVES LLC

**SPECIFICATION:**

FREQUENCY RANGE:	0.698 - 2.2 GHz	2.2 - 2.7 GHz
IMPEDANCE:	50 OHMS	50 OHMS
NUMBER OF OUTPUT PORTS:	3	3
MINIMUM ISOLATION:	20 dB	17 dB
MINIMUM VSWR INPUT:	1.35:1	1.5:1
MINIMUM VSWR OUTPUT:	1.3:1	1.3:1
MAXIMUM INSERTION LOSS:	0.45 dB	0.7 dB
AMPLITUDE BALANCE:	0.5 dB MAX	0.6 dB MAX
PHASE BALANCE:	8 deg MAX	8 deg MAX

DRAWN ThomasB	12/9/2016	 R&D Microwaves LLC, USA
CHECKED		
QA		TITLE
MFG		D3-A24Q Outline
APPROVED		SIZE
		B
		DWG NO
		D3-A24Q-OLrev1
		REV
		1
		SCALE
		SHEET 1 OF 1