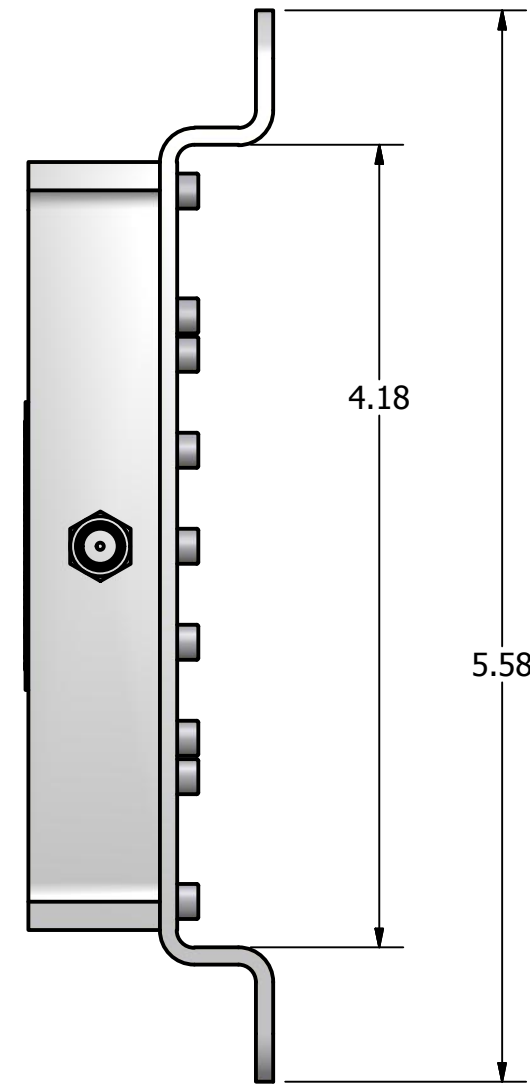
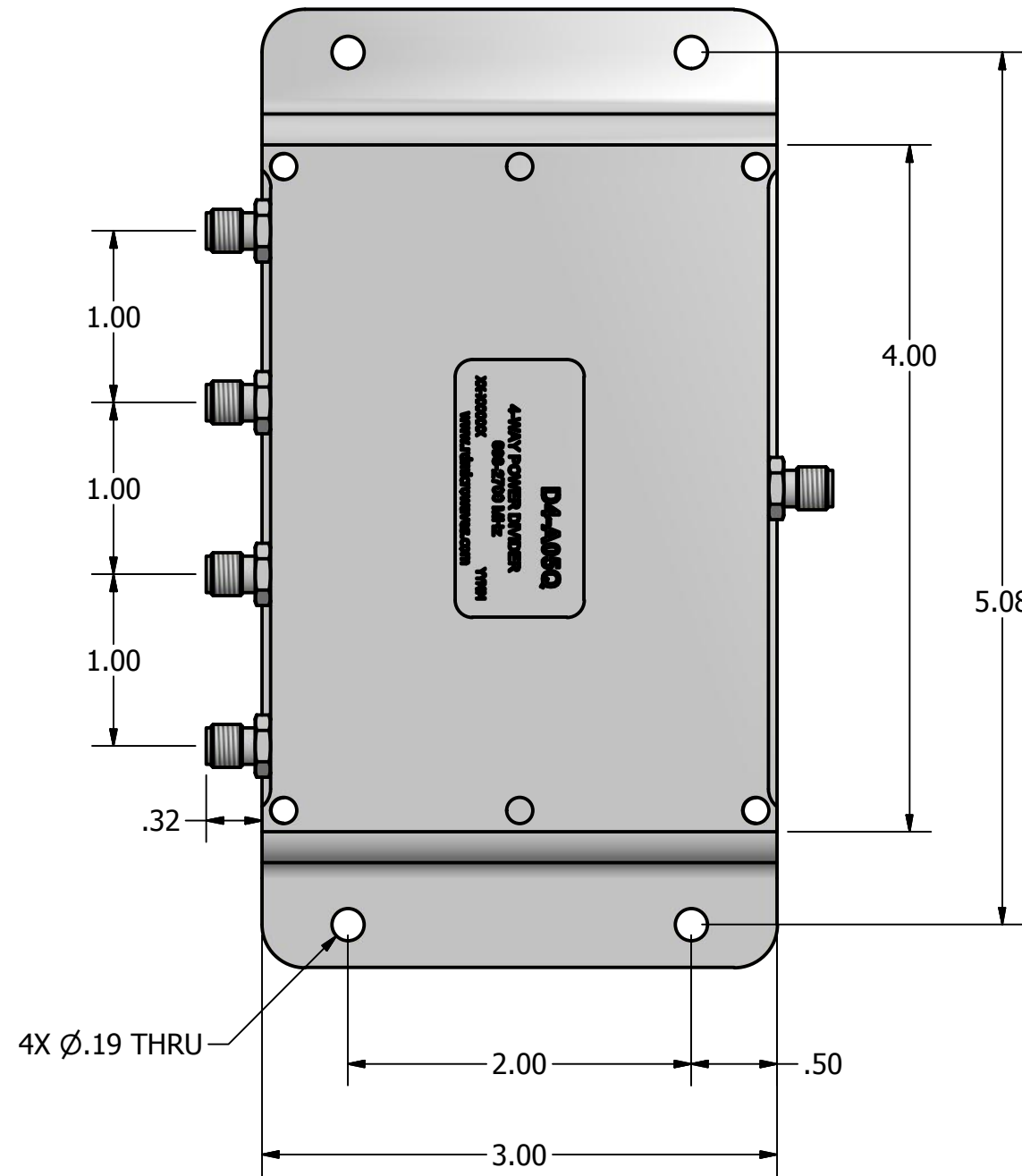
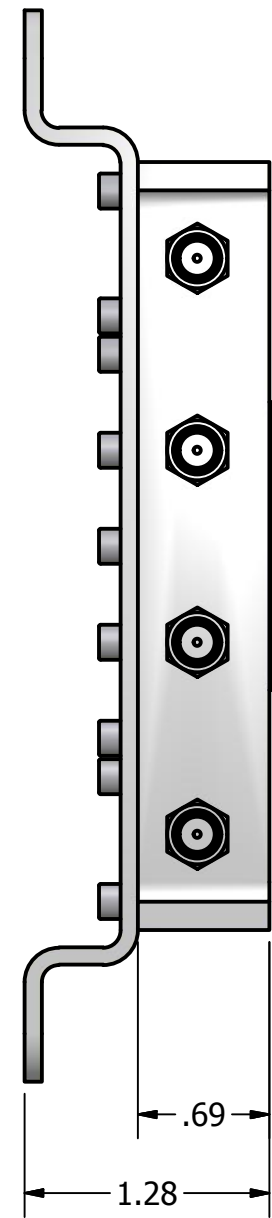



REVISION HISTORY				
ZONE	REV	DESCRIPTION	DATE	APPROVED
	1	ENGINEERING RELEASE	11/27/2024	DM



**SPECIFICATIONS:**

FREQUENCY: 698-2700 MHz  
 LOSS DUE TO DIVISION: 6.0 dB  
 INSERTION LOSS: 1.4 dB MAX  
 INPUT VSWR: 1.30:1 MAX  
 OUTPUT VSWR: 1.30:1 MAX  
 ISOLATION: 20 dB MIN  
 INPUT POWER: 30 WATTS  
 REVERSE POWER: 1000 mWATTS  
 FINISH: CLEAR IRIDITE  
 CONNECTORS: TYPE SMA(f)

HOLE TOLERANCE: X.XXX ±.003  
 LENGTH TOLERANCE: X.XXX ±.010  
 LENGTH TOLERANCE: X.XX ±.030  
 PROPERTY OF R&D MICROWAVES LLC

DRAWN	AK	7/27/2016	 R&D Microwaves LLC, USA
CHECKED			
QA			TITLE
MFG			D4-A05S 4 WAY POWER DIVIDER
APPROVED			SIZE
			B
			DWG NO
			D4-A05S-0Lrev1
			REV
			1
			SCALE
			SHEET 1 OF 1