

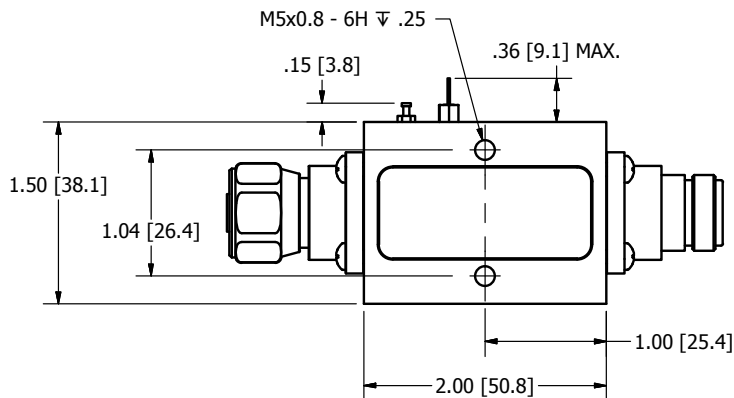
DC BLOCKS

DC-A20, DC Injector/Block

Model	DC-A20
Frequency Range:	700-2700 MHz
Insertion Loss:	0.1 dB Typical Low Band, 0.25 dB High Band
Impedance:	50 Ω
Passband Return Loss:	23 dB Low Band, 20 dB High Band
Passband ripple over any 200 MHz Band	0.1 dB
RF Power:	250 Watts, Average
Connectors:	Type N female and male, flange with O-ring
Material:	
Housing	Aluminum, Chromate Conversion Coating
Inner Conductor & Connectors	Brass, Silver Plated
DC Current:	2 Amps Max @ 50 VDC
Weight, Approx:	0.15 Kg (0.34 lbs)



The Model DC-A20 is a broadband RF DC Block with a third terminal that accepts a DC bias Voltage that can be injected on only one of the two RF terminals, and isolated from the other. It is used to bias amplifiers of other active products, while isolating the input RF terminal from the DC bias. The unit consists of a high voltage DC Block capacitor in the main path, and an inductor to inject the DC bias on the main RF line output connector. The unit is provided with male and female Type N connectors and a filtered feed through solder terminal for the DC.



Made in USA

