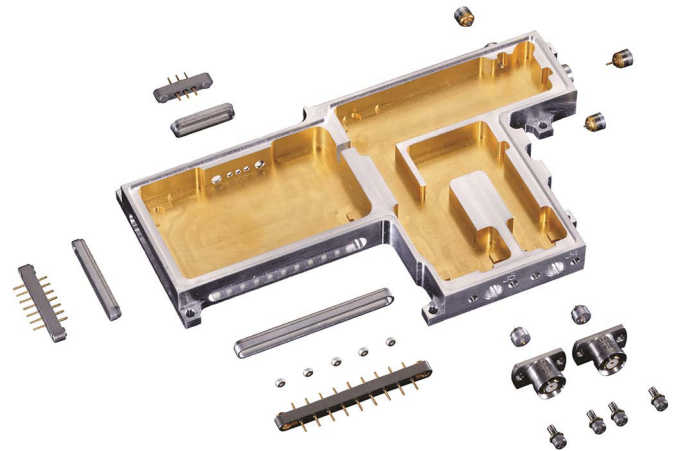


Hermetic Electronic Packaging

PacAero specializes in the design, manufacture, and integration of ultra-rugged, hermetic electronic packaging for use in extreme environments.

Whether it's integrating hermetic components that protect satellites deep in space or producing hermetic packages for oil-drilling tools that bore deep below the earth's surface, electronic packaging from PacAero delivers the highest levels of reliability



Turn-Key Electronic Packaging Solutions

Electrical properties of Kryoflex include resistivity of up to 1.5×10^{19} ohms/cm, with easily maintained resistance values exceeding 50,000 megohms — even in micro-miniature designs. Stand-off voltage capability is such that breakdown will always occur in the air media surrounding the terminal... never through the dielectric.

Laser Weld Construction

Kryoflex technology allows you to choose connectors, feedthrus, and electronic packaging literally custom-built to withstand extremes of temperature, pressure, harsh environments, and hazardous chemicals that destroy lesser materials.

The Kryoflex family of materials has adjustable coefficients of linear expansion, allowing application to a huge variety of shell and conductor materials.

No formers are added, so this material remains useful as an insulator from -400°F to $+1,400^{\circ}\text{F}$ with no loss of hermetic integrity.





Because Kryoflex seals directly to pins of copper and its alloys, PacAero connectors and feedthrus have up to 70 times the current-carrying capacity of competing products. When used with aluminum, Kryoflex permits hermetically-sealed connectors to be both robust and lightweight, while using copper conductors. (For applications requiring greater strength, Kryoflex works well with titanium, stainless steel or Inconel® shells along with platinum, platinum-clad titanium, or Inconel pins.)

Medical Components

Hermetically sealed ceramic-to-metal terminals and connectors used in implantable life-support devices, hearing restoration components, vital organ synthetic drug secretion devices and bone growth stimulator, all manufactured for implant into the human body.

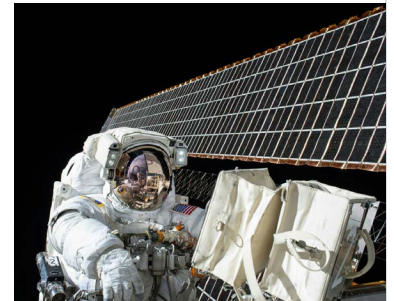


Energy Products

Hermetically sealed connectors and feedthru terminals for deep-well oil exploration and other applications where electronics must operate under extreme temperature and pressure, while maintaining both hermetic seal and superior electrical performance.

Space & Aerospace Products

High-end hermetically sealed connectors and related products – both standard and custom – including Sub-D, Micro-D, Jr.-D connectors and feedthrus.



Electronic Packaging

A wide variety of custom turnkey housing assemblies made from aluminum, titanium, titanium/CuMo, Fe/Ni alloys, stainless steel and more.

For more information, contact us at info.wenatchee@pacaero.com