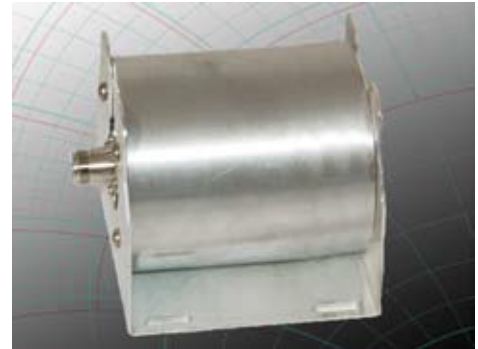


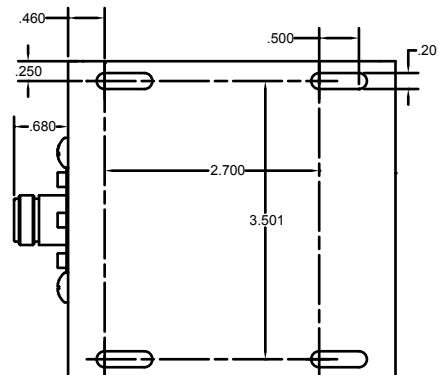
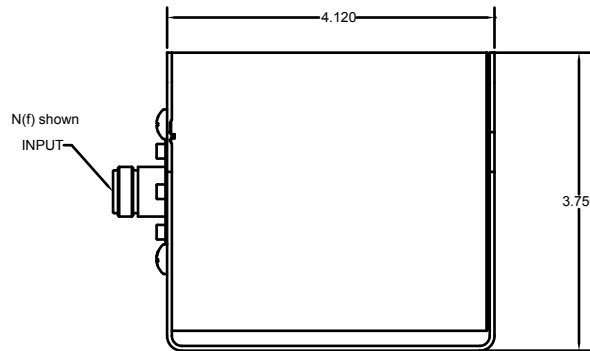
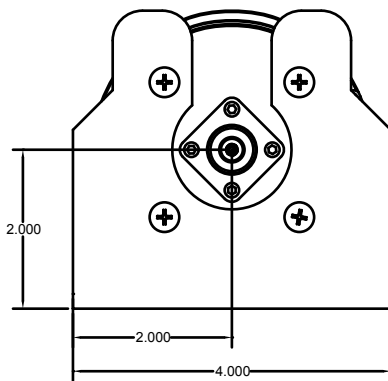
Model	TA-A19
Frequency Range	350 - 6000 MHz
Power	100 Watts Avg 3 kW peak
Passive Intermodulation (PIM)	>160 dBc
Impedance	50 Ω
Return Loss	22 dB Typical
Connectors	Type 7-16 DIN(m/f), 4.3-10(m/f), Type N(m/f)
Temperature	-40°C to +165°C



The TA-A19(x)-(x) was designed and manufactured as a low PIM high power termination for use as at termination on Hybrids or Couplers. It is intended for broad frequency coverage and excellent return loss. One of the applications for this termination when connected to the mainline output of a directional coupler, is to use the coupled port of the coupler as a high power, low PIM, broadband flat attenuator.

Typical Part # TA-A19NF-B = Type N female

Connector Type Gender Bracket (optional)



(shown with Type N connector)

Specify 7-16 DIN, 4.3-10 or Type N connector, male or female

- Multi-Band Range
- High Isolation, Low VSWR and Low Loss
- Rugged, Flange Mount Connector with O-ring
- ROHS Compliant



R&D Microwaves LLC, 301 Rockaway Valley Road, Boonton, NJ 07005 USA

Tel. 908.212.1696 [www.rdmicrowaves.com](http://www.rdmicrowaves.com)

email: [sales@rdmicrowaves.com](mailto:sales@rdmicrowaves.com)