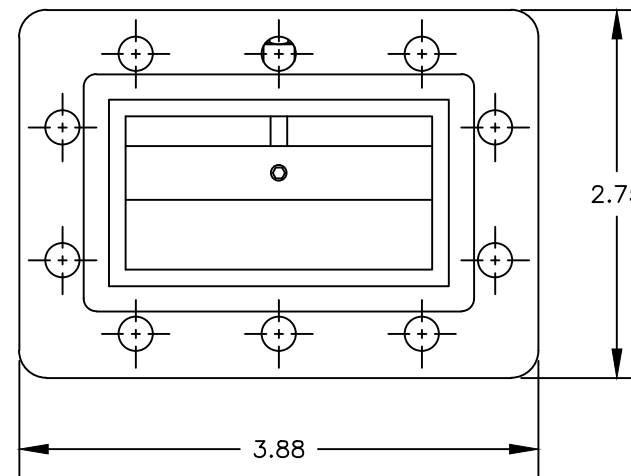
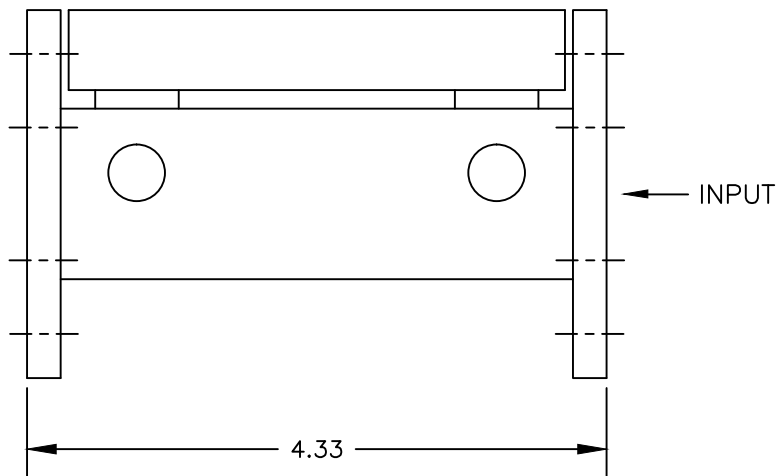


THIS DRAWING IS A SOURCE CONTROL DRAWING AND IS PROPRIETARY TO MICROWAVE FILTER CO., INC. AND  
MAY NOT BE DUPLICATED OR DISTRIBUTED WITHOUT WRITTEN PERMISSION OF MICROWAVE FILTER CO., INC.  
THIS DRAWING ALSO DESCRIBES TRADE SECRETS AND IS THE EXCLUSIVE PROPERTY OF MICROWAVE FILTER CO., INC

REVISION			
LTR	ECN	DATE	APPR'D
A	4293	10/11	PMB
B	4643	3/13	PMB
C	4643	12/25	PMB



SPECIFICATIONS

PASSBAND: 3.40 – 4.20 GHz.  
INSERTION LOSS: 0.5 dB TYP  
V.S.W.R.: 1.5:1 TYP  
REJECTION: 25 dB MIN. @ 3.3 & 4.3 GHz  
50 dB TYP. @ 4.4 GHz  
60 dB TYP. @ 4.5 GHz  
60 dB MIN. FROM 5.825–6.725 GHz  
60 dB MIN. FROM 7.250–7.750 GHz  
FLANGES: CPR-229 W/SUPPLIED HALF GASKET/  
GROOVED FLANGE (INPUT SIDE)  
FLAT FLANGE (OUTPUT SIDE)

UNLESS SPECIFIED  
ALL TOLERANCES  $\pm$ .030

ENVELOPE DRAWING

<b>MFC</b> MICROWAVE FILTER CO. INC. 6743 KINNE ST. E. SYRACUSE, N.Y. 13057		FSCM27834
DATE 7/08	TITLE	
DWN BY PMB	BANDPASS FILTER	
ENGINEER P.M.	DRAWING NO. 13961-3400/4200	REV C