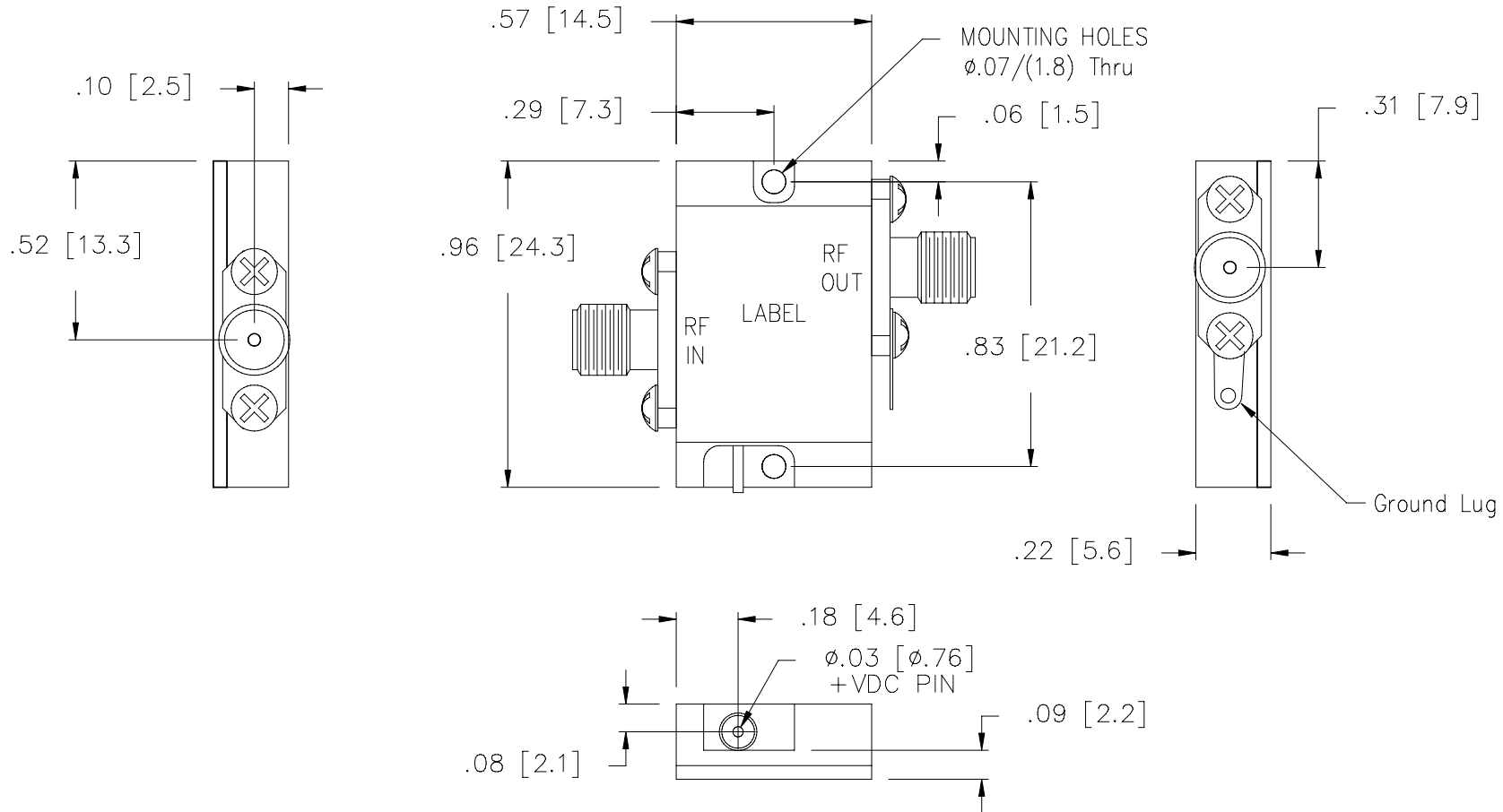


MICROWAVE SOLUTIONS INC.  
 PROPRIETARY AND PRIVATE  
 THE INFORMATION CONTAINED IN THIS  
 DOCUMENT OR ITEM IS THE  
 PROPERTY OF MICROWAVE SOLUTIONS  
 INC. (MSI) AND SHALL BE KEPT IN  
 STRICT CONFIDENCE EXCEPT WITH  
 WRITTEN PERMISSION OF MSI.

| REVISIONS |                      |            |        |
|-----------|----------------------|------------|--------|
| REV.      | DESCRIPTION          | DATE       | APPRVD |
| D         | CREATE PER ECO 2423  | SY 3/13/01 |        |
| E         | REVISED PER ECO 2797 | SY 6/7/05  |        |

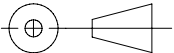


NOTES:


1. Removable "SMA" connectors.
2. RF pin diameter = .015" x .07" in length.
3. Input voltage pin is  $\phi.03$ ".
4. Dimensions are in Inches/[mm.].
5. Ground Lug can be placed on input if requested

THIS DWG IS PRELIMINARY  
 UNLESS STAMPED  
 RELEASED

NOTE: THIS DWG INCORPORATES  
 THIRD ANGLE PROJECTION



|   |           |            |         |
|---|-----------|------------|---------|
| UNLESS OTHERWISE SPECIFIED<br>DIMENSIONS ARE IN INCHES  | DRAWN     | S. YOUNG   | 3/13/01 |
| TOLERANCES ARE:<br>FRACTIONS DECIMALS ANGLES<br>$\pm 1/64$ $XX \pm .02$ $\pm 1/2^\circ$<br>$XXX \pm .010$ | CHECKED   |            |         |
| UNLESS OTHERWISE SPECIFIED <sup>63</sup> ALL OVER   | ENG.      |            |         |
| MATERIAL:   | PROD.     |            |         |
| FINISH:   | Q.A.      |            |         |
| DO NOT SCALE DRAWING  | APPROVALS |            |         |
|   | CAD FILE: | OL1624-1_E |         |

|   |          |              |      |
|---|----------|--------------|------|
| <br>NATIONAL CITY <small>microwave solutions inc.</small> CALIFORNIA |          |              |      |
| OUTLINE,<br>C-BAND SINGLE STAGE   |          |              |      |
| SIZE  | FSCM NO. | DWG.NO       | REV. |
| A   | 65151    | OL-001624-1  | E    |
| WEIGHT  | SCALE    | SHEET 1 OF 1 |      |
|   | 2:1      |              |      |