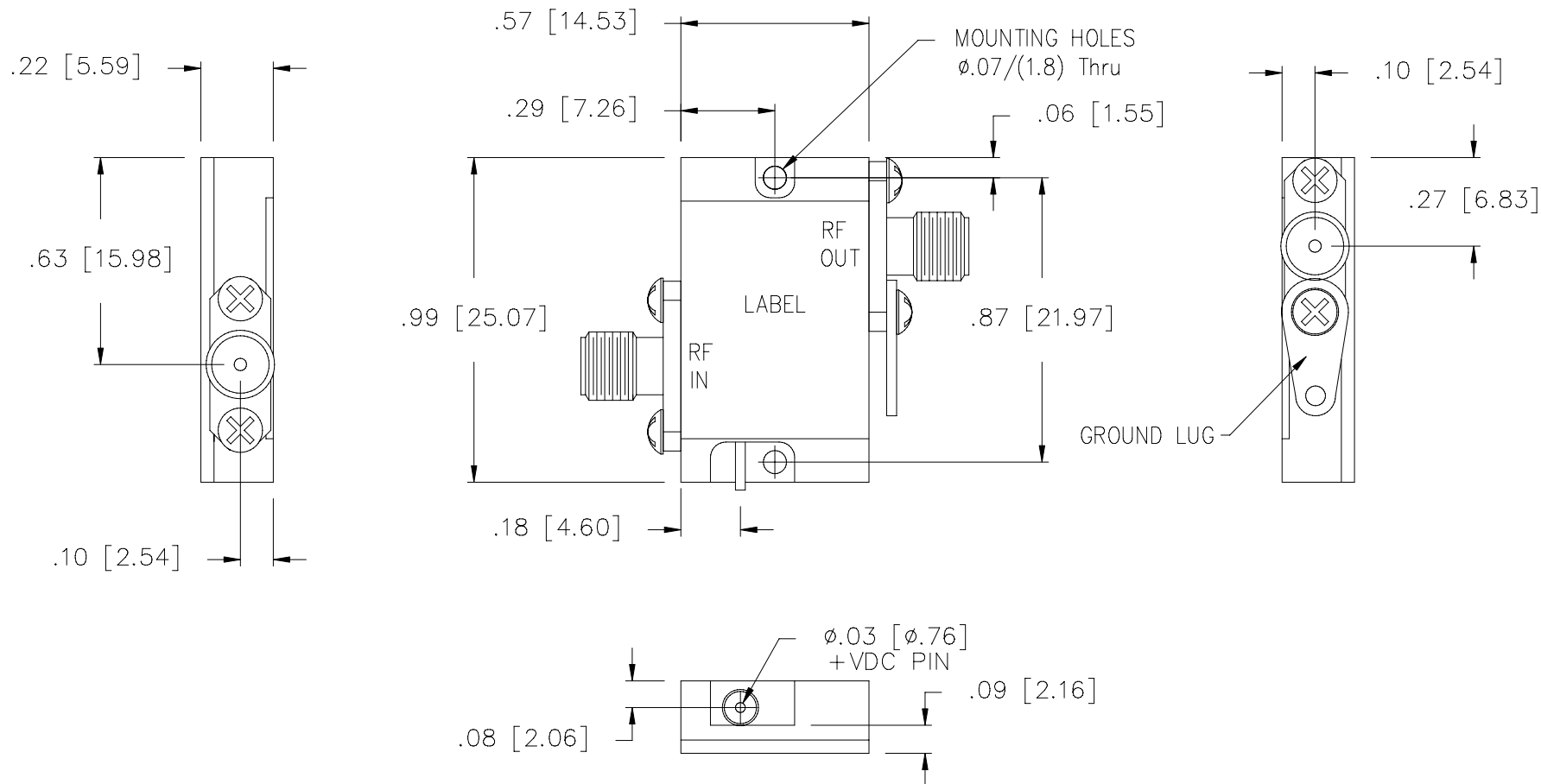


MICROWAVE SOLUTIONS INC.
 PROPRIETARY AND PRIVATE
 THE INFORMATION CONTAINED IN THIS
 DOCUMENT OR ITEM IS THE
 PROPERTY OF MICROWAVE SOLUTIONS
 INC. (MSI) AND SHALL BE KEPT IN
 STRICT CONFIDENCE EXCEPT WITH
 WRITTEN PERMISSION OF MSI.

REVISIONS			
REV.	DESCRIPTION	DATE	APPRVD
D	REVISED PER ECO 2797 SY	6/7/05	

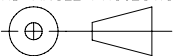


NOTES:

1. Removable "SMA" connectors.
2. RF pin diameter = .02" x .07" in length.
3. Input voltage pin is $\phi.03$ ".
4. Dimensions are in Inches/[mm.].
5. Ground Lug can be placed on input if requested

THIS DWG IS PRELIMINARY
 UNLESS STAMPED
 RELEASED

NOTE: THIS DWG INCORPORATES
 THIRD ANGLE PROJECTION



UNLESS OTHERWISE SPECIFIED
 DIMENSIONS ARE IN INCHES

TOLERANCES ARE:
 FRACTIONS DECIMALS ANGLES
 $\pm 1/64$ $XX \pm .02$ $\pm 1/2^\circ$
 $XXX \pm .010$

UNLESS OTHERWISE SPECIFIED ⁶³ ALL OVER

MATERIAL:

FINISH:

DO NOT SCALE DRAWING

DRAWN	S. YOUNG	4/12/05
CHECKED		
ENG.		
PROD.		
Q.A.		
APPROVALS		
CAD FILE:	OL1625-1_D	

MSI
 microwave solutions inc.

NATIONAL CITY CALIFORNIA

OUTLINE,
 S-BAND SINGLE STAGE

SIZE	FSCM NO.	DWG.NO	REV.
A	65151	OL-001625-1	D

WEIGHT SCALE 2:1 SHEET 1 OF 1