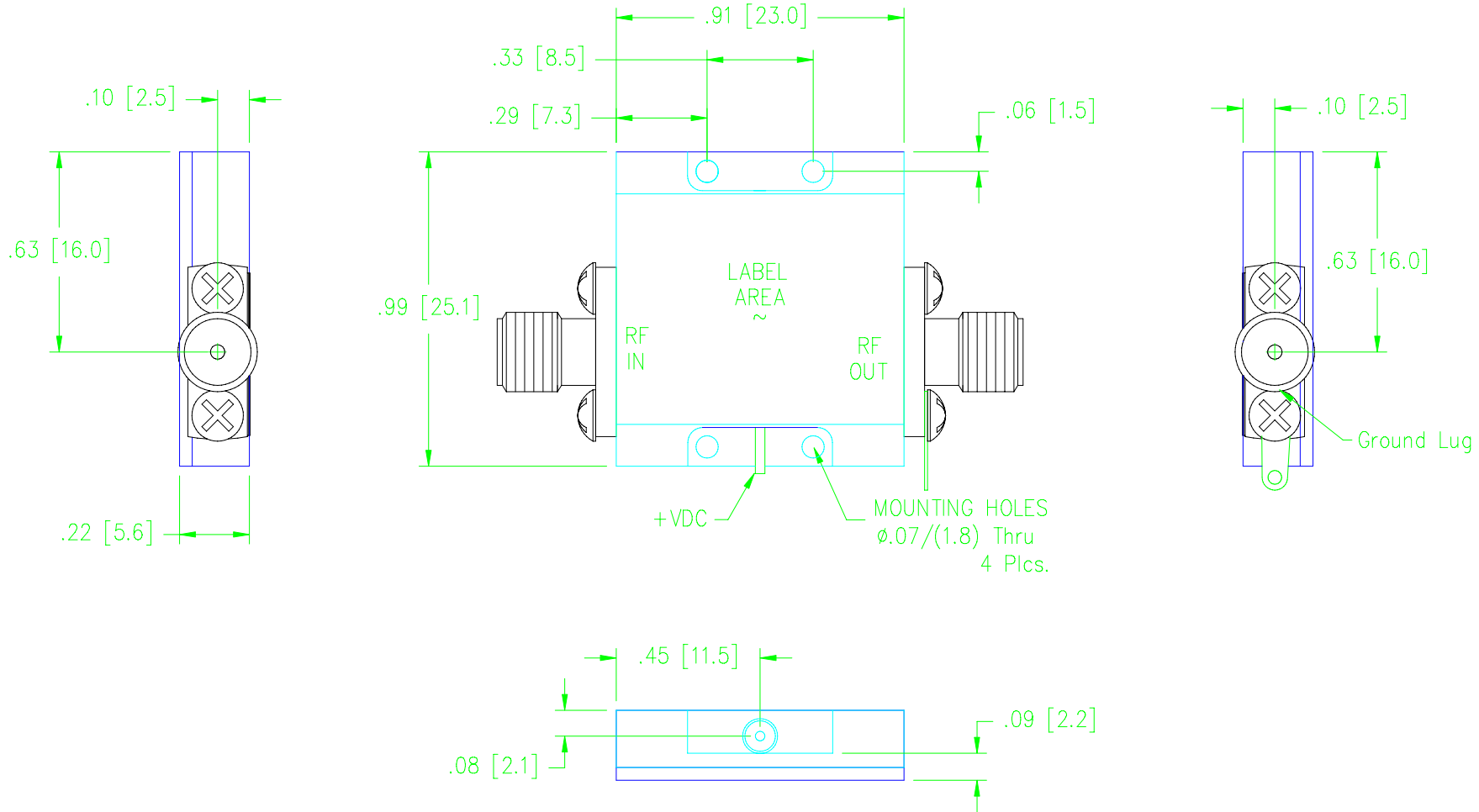



MICROWAVE SOLUTIONS INC.  
 PROPRIETARY AND PRIVATE  
 THE INFORMATION CONTAINED IN THIS  
 DOCUMENT OR ITEM IS THE  
 PROPERTY OF MICROWAVE SOLUTIONS  
 INC. (MSI) AND SHALL BE KEPT IN  
 STRICT CONFIDENCE EXCEPT WITH  
 WRITTEN PERMISSION OF MSI.

REVISIONS			
REV.	DESCRIPTION	DATE	APPRVD
D	REVISE PER ECO 2797 SY	6/7/05	



**NOTES:**

1. Removable "SMA" connectors.
2. RF pin diameter = .02" x .07" in length.
3. Input voltage pin is  $\phi.03$ ".
4. Dimensions are in Inches/[mm.].
5. Ground Lug can be placed on input if requested

THIS DWG IS PRELIMINARY UNLESS STAMPED RELEASED	NOTE: THIS DWG INCORPORATES THIRD ANGLE PROJECTION	UNLESS OTHERWISE SPECIFIED DIMENSIONS ARE IN INCHES	DRWN: Judy Thomas	020104	 microwave solutions inc. NATIONAL CITY CALIFORNIA
		TOLERANCES ARE: FRACTIONS DECIMALS ANGLES $\pm 1/64$ $XX \pm .010$ $\pm 1/2^\circ$ $XXX \pm .005$	CHECKED:		
		UNLESS OTHERWISE SPECIFIED $63^\circ$ ALL OVER	ENG:		SIZE A FSCM NO. 65151 DWG NO. OL-001625-2 REV. D
		MATERIAL:	PROD:		
		FINISH:	Q.A.:		
		DO NOT SCALE DRAWING	APPROVALS:		
			CAD FILE: OL1625-2_D		