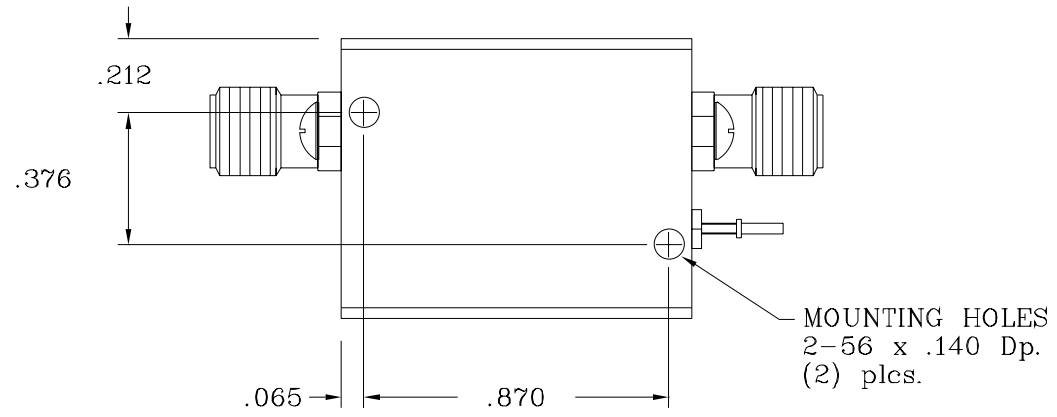
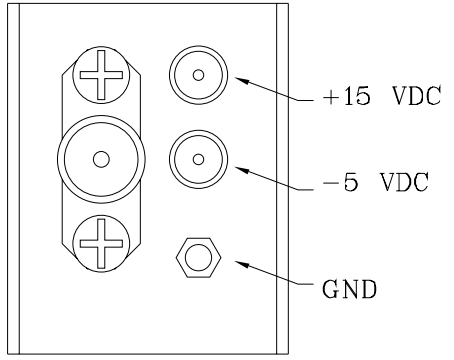
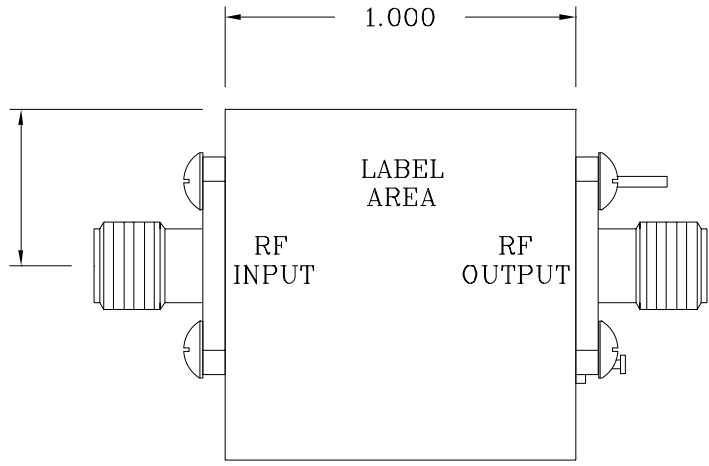
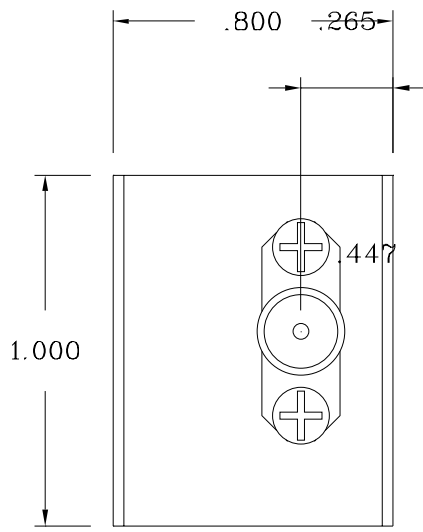


REVISIONS				
ZONE	REV.	DESCRIPTION	DATE	APPROVED



1. Connectors are SMA Female, (removable).
2. Finish: Electroless Nickel Plate, .001" (min) to .0015" (max) thickness per MIL-C-26074B, all surfaces.

NOTES:

UNLESS OTHERWISE SPECIFIED DIMENSIONS ARE IN INCHES TOLERANCE ARE: FRACTIONS DECIMALS ANGLES ±1/32 XX±.01 ±1/2° XXX±.005	CONTRACT NO. 9234		<i>Microwave Solutions Inc.</i> NATIONAL CITY CALIFORNIA			
	APPROVALS DRAWN A. HALL	DATE 920515	OUTLINE DRAWING			
MATERIAL:	CHECK	ISSUED	SIZE A	FSCM NO. 65151	DWG. NO. OL-001135	REV. A
FINISH	DO NOT SCALE DRAWING	OL1135A.DWG	SCALE 2X	SHEET 1 OF 1		