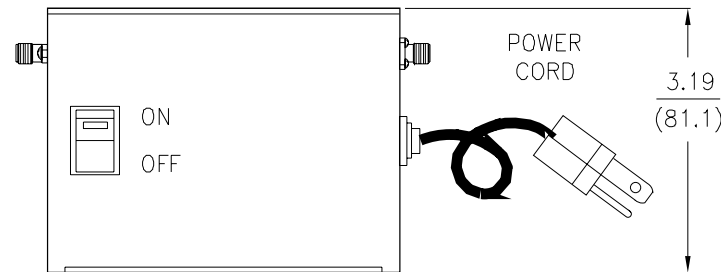
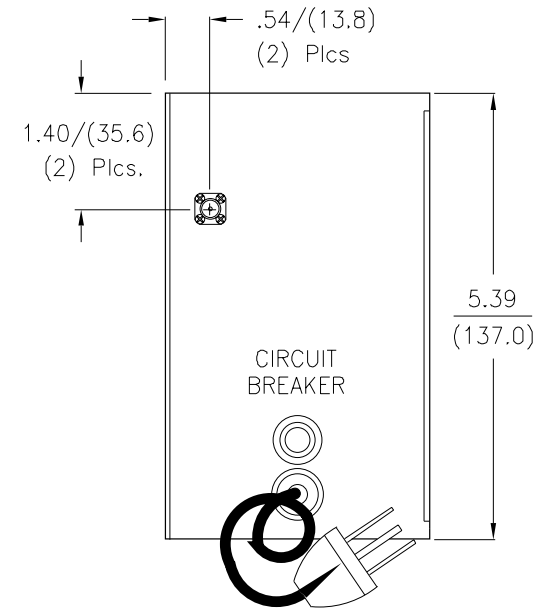
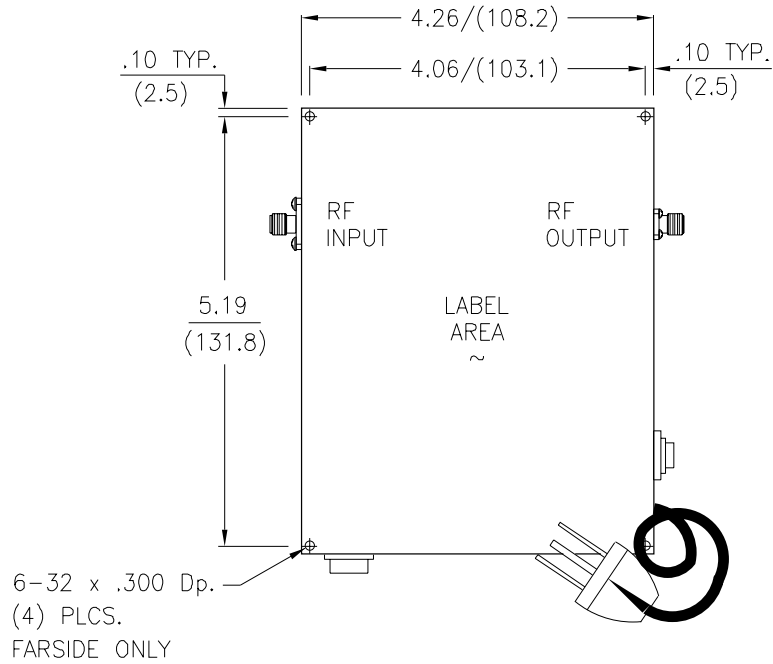


MICROWAVE SOLUTIONS INC.  
 PROPRIETARY AND PRIVATE  
 THE INFORMATION CONTAINED IN THIS  
 DOCUMENT OR ITEM IS THE  
 PROPERTY OF MICROWAVE SOLUTIONS  
 INC. (MSI) AND SHALL BE KEPT IN  
 STRICT CONFIDENCE EXCEPT WITH  
 WRITTEN PERMISSION OF MSI.

REVISIONS			
REV.	DESCRIPTION	DATE	APPRVD



CONNECTOR OPTIONS AVAILABLE	
-XXX	
-SMA	
-NN	
-TNC	
-BNC	

**NOTES:**

- Standard RF connectors are SMA female.
- Dimensions are in Inches/(mm.).
- Finish: Electroless Nickel .0005/.0010 per MIL-C-24074B, all surfaces.

THIS DWG IS PRELIMINARY UNLESS STAMPED RELEASED	NOTE: THIS DWG INCORPORATES THIRD ANGLE PROJECTION 	UNLESS OTHERWISE SPECIFIED DIMENSIONS ARE IN INCHES TOLERANCES ARE: FRACTIONS DECIMALS ANGLES ±1/64    .XX±.010    ±1/2° XXX±.005	DRAWN: MANUEL ROSAS 990707	 microwave solutions inc. NATIONAL CITY CALIFORNIA
			CHECKED: XXXXXX XXXXXX	
			ENG:	OUTLINE DRAWING
			PROD:	
			UNLESS OTHERWISE SPECIFIED <input checked="" type="checkbox"/> ALL OVER MATERIAL:	
			FINISH:	
NEXT ASSY	USED ON	DO NOT SCALE DRAWING	APPROVALS:	SIZE: A
			CAD FILE: 011632_A	FSCM NO: 65151
				DWG NO: 0L-001632-XXX
				REV: A
				SCALE: 2X
				SHEET 1 OF 1