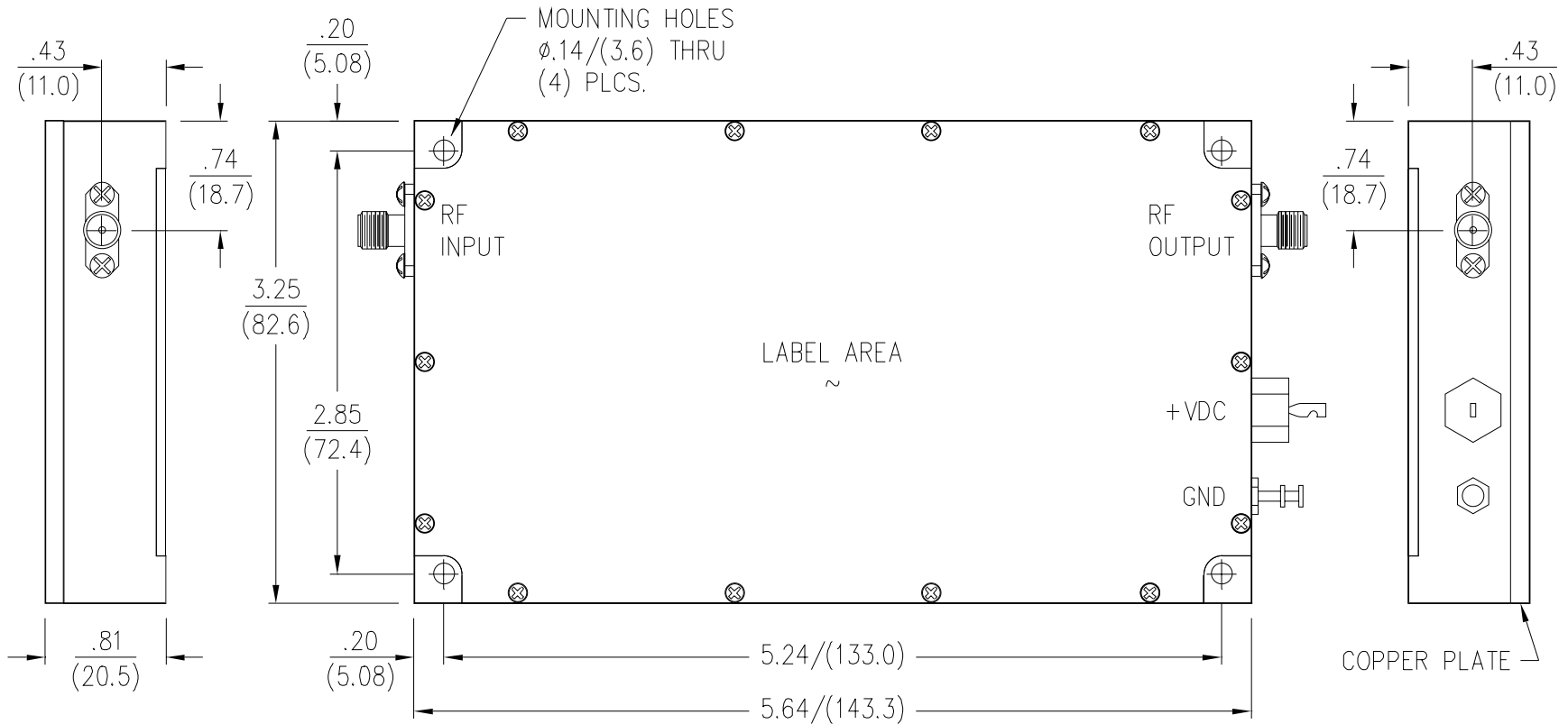


MICROWAVE SOLUTIONS INC.  
 PROPRIETARY AND PRIVATE  
 THE INFORMATION CONTAINED IN THIS  
 DOCUMENT OR ITEM IS THE  
 PROPERTY OF MICROWAVE SOLUTIONS  
 INC. (MSI) AND SHALL BE KEPT IN  
 STRICT CONFIDENCE EXCEPT WITH  
 WRITTEN PERMISSION OF MSI.

REVISIONS			
REV.	DESCRIPTION	DATE	APPRVD
B	REVISE PER ECO XXXX MR	990819	
C	REVISE PER ECO 2405 MR	020501	



**NOTES:**

1. Dimensions are in Inches/(mm.).
2. Connectors are SMA female.
3. Finished parts are nickel-plated except for copper plate which is silver plated.

THIS DWG IS PRELIMINARY UNLESS STAMPED RELEASED	NOTE: THIS DWG INCORPORATES THIRD ANGLE PROJECTION 	UNLESS OTHERWISE SPECIFIED DIMENSIONS ARE IN INCHES	DRAWN: MANUEL ROSAS 020501	 microwave solutions inc. NATIONAL CITY CALIFORNIA
		TOLERANCES ARE: FRACTIONS DECIMALS ANGLES $\pm 1/64$ .XXX±.010 $\pm 1/2^\circ$ XXX±.005	CHECKED: S. YOUNG 020501	
		UNLESS OTHERWISE SPECIFIED $\frac{R}{R}$ ALL OVER	ENGR:	OUTLINE DRAWING
		MATERIAL:	PROJ:	
		FINISH:	DRAWN:	SIZE A
NEXT ASSY	USED ON	DO NOT SCALE DRAWING	CHK FILE: 0L2495_B.DWG	FSCM NO. 65151 DWG. NO. 0L-002495 REV. C
				SCALE FULL SHEET 1 OF 1