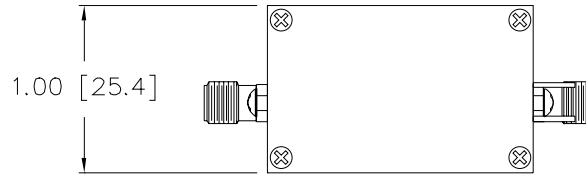


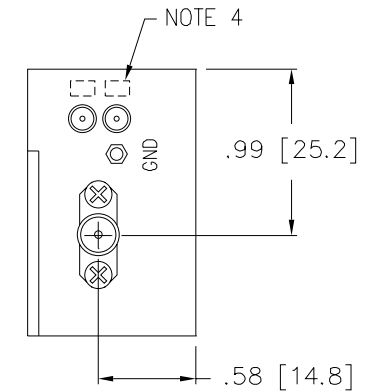
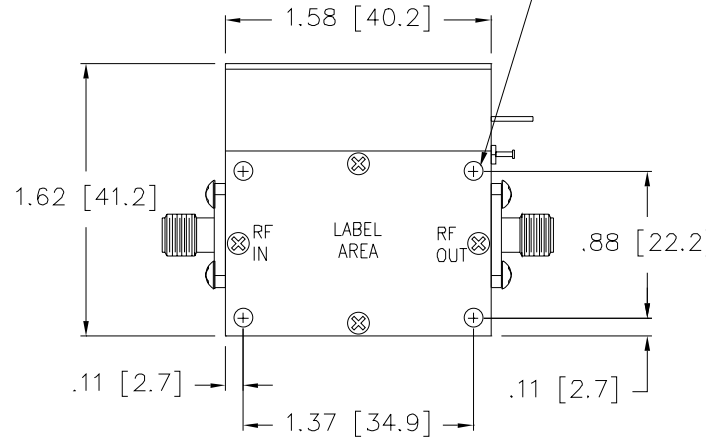
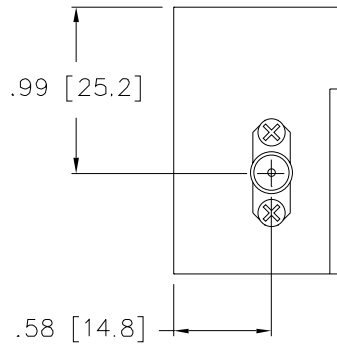
REVISIONS

REV.	DESCRIPTION	DATE	APPRVD
E	REVISED PER ECO 2518 SY	1/29/02	

MICROWAVE SOLUTIONS INC.
 PROPRIETARY AND PRIVATE
 THE INFORMATION CONTAINED IN THIS
 DOCUMENT OR ITEM IS THE
 PROPERTY OF MICROWAVE SOLUTIONS
 INC. (MSI) AND SHALL BE KEPT IN
 STRICT CONFIDENCE EXCEPT WITH
 WRITTEN PERMISSION OF MSI.



MOUNTING HOLES
 4-40 x .37 Dp.
 FROM TOP & BOTTOM SIDES
 4 PLCS. EACH SIDE

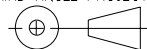


NOTES:

1. Connectors are SMA female.
2. Dimensions are in Inches/[mm.].
3. Finish: Electroless Nickel, .0005/.0010 per MIL-C-26074B, all surfaces.
4. Labels to be determined by customers specifications. One pin is optional.

THIS DWG IS PRELIMINARY
 UNLESS STAMPED
 RELEASED

NOTE: THIS DWG INCORPORATES
 THIRD ANGLE PROJECTION



UNLESS OTHERWISE SPECIFIED DIMENSIONS ARE IN INCHES	DRAWN	S.YOUNG	1/29/02
TOLERANCES ARE: FRACTIONS DECIMALS ANGLES ±1/64 XX±.02 ±1/2° XXX±.010	CHECKED		
UNLESS OTHERWISE SPECIFIED $\frac{R}{S}$ ALL OVER	ENG.		
MATERIAL:	PROD.		
FINISH:	O.A.		
DO NOT SCALE DRAWING	APPROVALS		
	CAD FILE:	OL3970_A	


 NATIONAL CITY microwave solutions inc. CALIFORNIA

OUTLINE DRAWING

SIZE	FSCM NO.	DWG.NO	REV.
A	65151	OL-003970	A
SCALE	1.25:1	SHEET 1 OF 1	