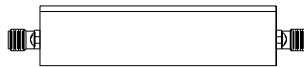
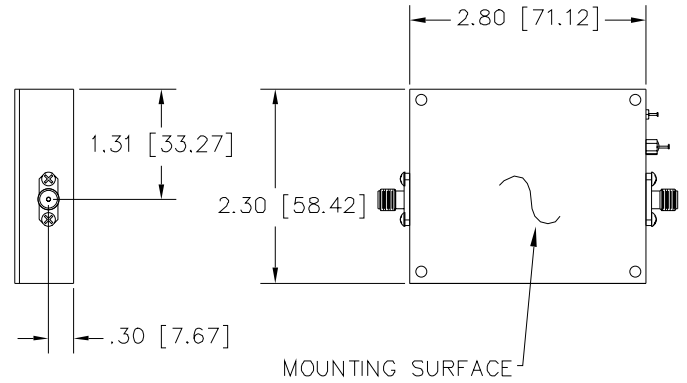
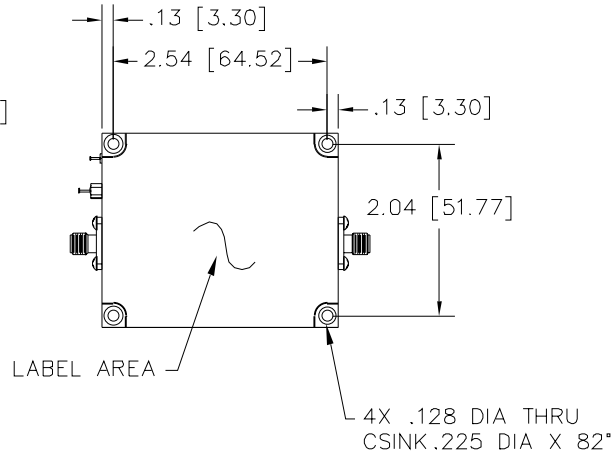
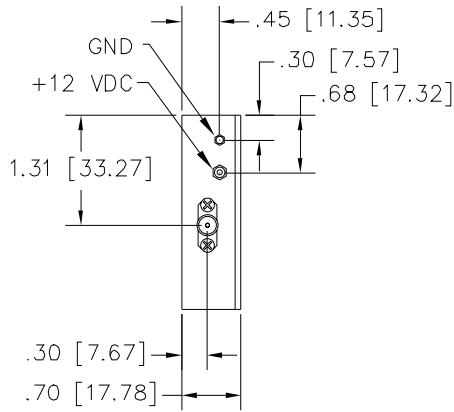
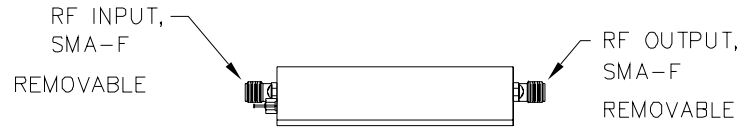


MICROWAVE SOLUTIONS INC.
 PROPRIETARY AND PRIVATE
 THE INFORMATION CONTAINED IN THIS
 DOCUMENT OR ITEM IS THE
 PROPERTY OF MICROWAVE SOLUTIONS
 INC. (MSI) AND SHALL BE KEPT IN
 STRICT CONFIDENCE EXCEPT WITH
 WRITTEN PERMISSION OF MSI.

REVISIONS			
REV.	DESCRIPTION	DATE	APPRVD
A	CREATED PER ECO 2618 ET	02/11/07	
B	REVISED PER ECO 2648 SY	4/14/03	



NOTES:

1. Dimensions are in Inches/[mm.].

THIS DWG IS PRELIMINARY
 UNLESS STAMPED
 RELEASED

NOTE: THIS DWG INCORPORATES
 THIRD ANGLE PROJECTION

UNLESS OTHERWISE SPECIFIED DIMENSIONS ARE IN INCHES		DRAWN	E. TEYSSIER	021107
TOLERANCES ARE: FRACTIONS DECIMALS ANGLES ±1/64 XX±.01 ±1/2° XXX±.010		CHECKED		
UNLESS OTHERWISE SPECIFIED ⁶³ ALL OVER		ENG.		
MATERIAL: AL ALLOY, 6061-T6		PROD.		
FINISH: CHEM FILM		Q.A.		
DO NOT SCALE DRAWING		APPROVALS		
		CAD FILE:	OL4169_B	

NATIONAL CITY		CALIFORNIA	
OUTLINE,			
SIZE	FSCM NO.	DWG.NO	REV.
A	65151	OL-004169	B
SCALE 1:2		SHEET 1 OF 1	