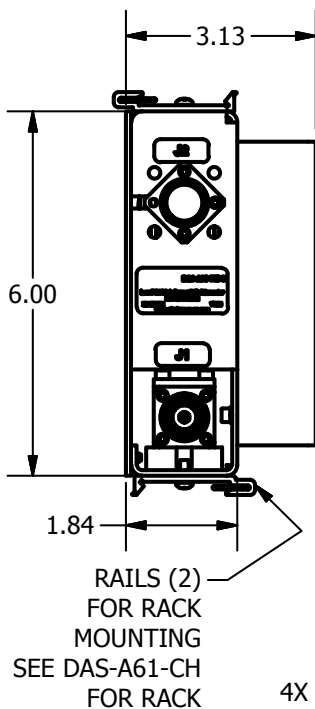


Model	DAS-A61X-XX
Frequency Range:	350-6000 MHz
Input Power:	60 Watts, 100 Watts option
Input Port VSWR	see chart-request plots from factory
Output Port VSWR:	Not Specified
Passive Intermodulation:	> 160 dBc, 3rd Order 2x 43dBm/tone at Input port
Attenuation:	Value Per Chart

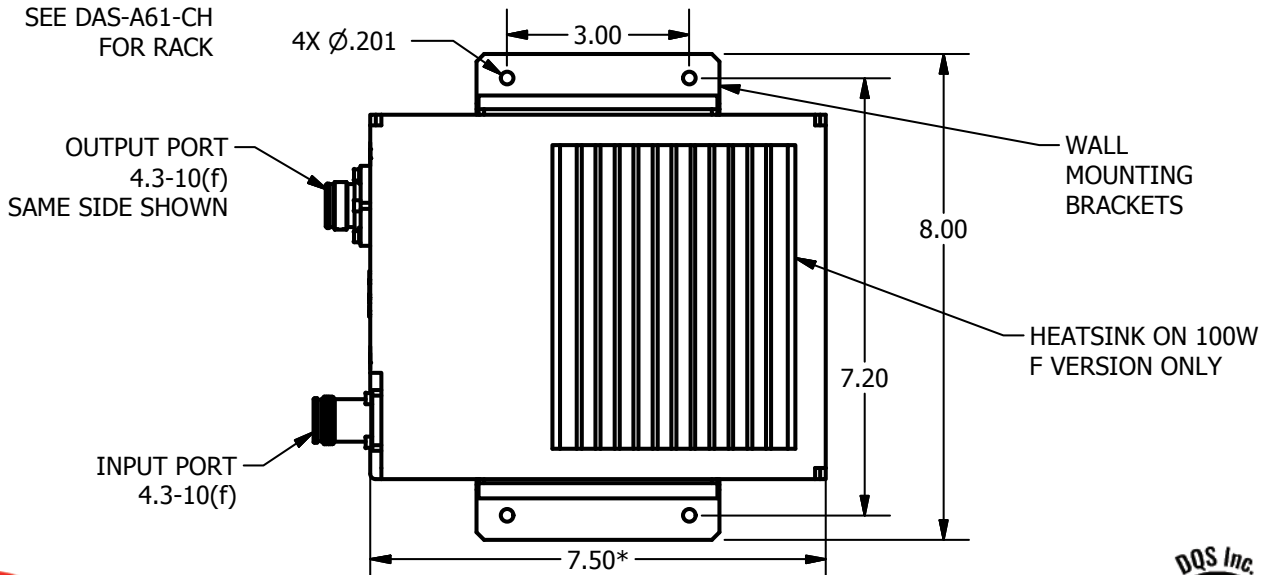


*DAS-A61E-3XX: HOUSING LENGTH IS 11"



Typical Part Number					
DAS-A61XX-10XXX-XX		Connector ID:		Mounting	Mounting ID:
Location ID	Power ID	Connector:	Male	Female	
Attenuation	Connector ID	7-16 DIN	DM	DF	None
Mounting ID		4.3-10.0	D43M	D43F	DIN Rail
		Type N	NM	NF	Bracket
					BR
		Output Location	Location ID:		Input Power:
		Same Side	N/A		60 Watts
		Inline	A		100 Watts
					Power ID:
					E
					F

	ATTENUATION (dB):			INPUT PORT 1	
	350-698 MHz	698-4000	5000-6000	RL min Db	typ
DAS-A61X-3*:	3 ± 0.7			17	23
DAS-A61X-5:	5 ± 1.0	5.5 ± 0.5	4.5 ± 0.5	17	23
DAS-A61X-6:	6.5 ± 0.5	6.3 ± 0.3	6.2 ± 0.3	17	23
DAS-A61X-7:	8 ± 0.9	7.3 ± 0.3	7.2 ± 0.3	17	23
DAS-A61X-8:	8.6 ± 0.9	8.5 ± 0.4	8.6 ± 0.5	18	23
DAS-A61X-9:	9.5 ± 0.9	9.4 ± 0.5	9.3 ± 0.5	18	23
DAS-A61X-10:	10.7 ± 1.0	10.5 ± 0.5	10.6 ± 0.8	20	25
DAS-A61X-13:	14 ± 1.0	13.0 ± 0.3	13.0 ± 0.3	23	25
DAS-A61X-15:	15.0 ± 0.4	15.0 ± 0.3	15.0 ± 0.4	23	25
DAS-A61X-20:	20.2 ± 0.5	20.3 ± 0.5	20.9 ± 0.5	23	25
DAS-A61X-30:	30 ± 1.0	30.0 ± 1.0	30 ± 1.0	23	25
DAS-A61X-35:	35 ± 1.0	35 ± 1.0	35 ± 1.0	23	25



R&D Microwaves LLC, 301 Rockaway Valley Road, Boonton, NJ 07005 USA
 Tel. 908.212.1696 www.rdmicrowaves.com
 email: sales@rdmicrowaves.com

