

## DESCRIPTION

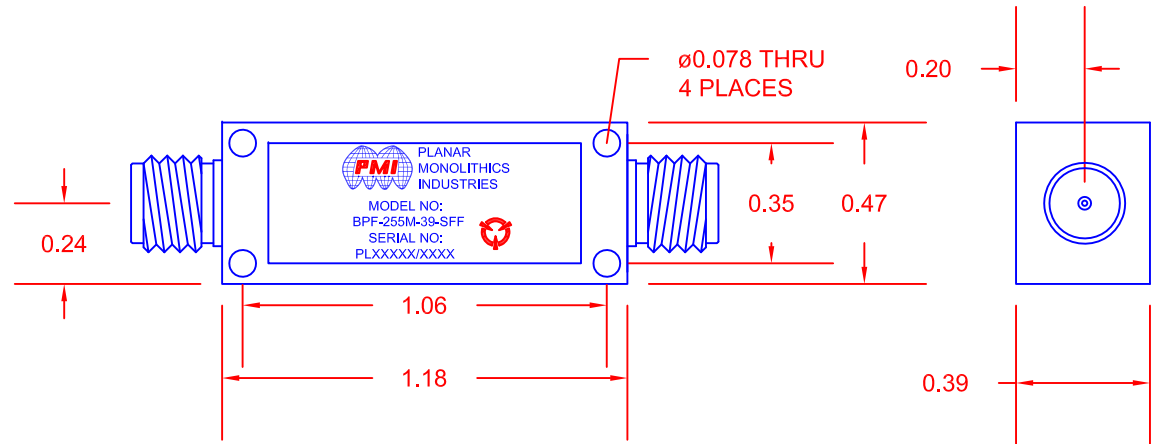
PMI MODEL NO. BPF-255M-39-SFF IS A BAND PASS FILTER WITH A CENTER FREQUENCY OF 255 MHz. IT HAS A MAXIMUM INSERTION LOSS OF 0.5 dB AND A MAXIMUM VSWR OF 1.5:1. THIS MODEL IS OUTFITTED WITH SMA CONNECTORS.

REVISIONS				
ZONE	REV.	DESCRIPTION	DATE	APPROVED
	-	PRELIMINARY	5/8/2023	

## SPECIFICATIONS

- PASSBAND FREQUENCY: ----- 235.5 TO 274.5 MHz
- INSERTION LOSS (PASSBAND): ----- 0.5 dB MAX
- BANDWIDTH (-3dB): ----- 39 MHz MIN
- VSWR: ----- 1.5:1 MAX
- REJECTION @ 3.2 GHz: ----- 20 dBc MIN
- REJECTION @ 2.8 GHz: ----- 20 dBc MIN
- INPUT POWER: ----- 1 WATT MAX
- IMPEDANCE: ----- 50 OHMS
- CONNECTORS: ----- SMA (FEMALE)

## MECHANICAL OUTLINE



## ENVIRONMENTAL RATINGS

- TEMPERATURE: ----- -20 °C TO +70 °C (OPERATING)  
----- -65 °C TO +125 °C (STORAGE)
- HUMIDITY: ----- MIL-STD-202, METHOD 103B COND. B
- SHOCK: ----- MIL-STD-202, METHOD 213B COND. B
- VIBRATION: ----- MIL-STD-202, METHOD 204D COND. B
- ALTITUDE: ----- MIL-STD-202, METHOD 105C COND. B
- TEMPERATURE CYCLE: ----- MIL-STD-202, METHOD 107D COND. A

NOTE: SPECIFICATIONS WILL VARY OVER OPERATING TEMPERATURE

NOTE: THE ABOVE SPECIFICATIONS ARE SUBJECT TO CHANGE OR REVISION

ALL DIMENSIONS  
ARE IN INCHES [mm]  
TOLERANCES:  
X.XX ±0.020  
X.XXX ±0.010

**PMI CONFIDENTIAL AND PROPRIETARY**

## PLANAR MONOLITHICS INDUSTRIES, INC.

7311-F GROVE ROAD

FREDERICK, MARYLAND 21704 USA

TEL: (301)-662-5019, FAX: (301)-662-1731

WEB: [www.pmi-rf.com](http://www.pmi-rf.com), EMAIL: [sales@pmi-rf.com](mailto:sales@pmi-rf.com)

ISO 9001 CERTIFIED



APPROVALS		DATE	TITLE			
DRAWN <i>AF</i>		5/8/23	PRODUCT FEATURE BPF-3R275G-250M-SFF			
REDRAWN			SIZE A	FSCM NO. 05XQ0	DWG NO. PRELIMINARY	REV. 1
ISSUED			SCALE N:S		SHEET 1 OF 1	